

**SP 4-INCH**  
Service Kits

**GRUNDFOS PRICE LIST**  
EFFECTIVE DATE: MARCH 19, 2018

MATERIAL NUMBER	DESCRIPTION	LIST PRICE (\$)
<b>5S Spline*</b>		
0008001Z	Inlet/Discharge Kit, 4"	218.00
0008003Z	Bearing Kit, up to 9 stages	93.00
0008009Z	Impeller Kit, up to 9 stages	170.00
0008010Z	Impeller Kit, 10 to 18 stages	235.00
0008011Z	Impeller Kit, 19 to 26 stages	320.00
0008014Z	Chamber Kit, up to 9 stages	280.00
0008015Z	Chamber Kit, 10 to 18 stages	395.00
0008016Z	Chamber Kit, 19 to 27 stages	463.00
0008055Z	Strap Kit, 9 stages	85.00
0008059Z	Strap Kit, 13 stages	91.00
0008062Z	Strap Kit, 18 stages	96.00
0008065Z	Strap Kit, 22 stages	103.00
0008067Z	Strap Kit, 26 stages	115.00
0008026Z	Shaft Kit, 9 stages	150.00
0008030Z	Shaft Kit, 13 stages	164.00
0008033Z	Shaft Kit, 18 stages	195.00
0008036Z	Shaft Kit, 22 stages	187.00
0008038Z	Shaft Kit, 26 stages	215.00

MATERIAL NUMBER	DESCRIPTION	LIST PRICE (\$)
<b>5S Smooth</b>		
0008002Z	Inlet/Discharge Kit, 4"	372.00
0008006Z	Bearing Kit, 39 stages	329.00
0008007Z	Bearing Kit, 48 stages	381.00
0008012Z	Impeller Kit, 39 stages	#####
0008013Z	Impeller Kit, 48 stages	#####
0008017Z	Chamber Kit, 39 stages	#####
0008018Z	Chamber Kit, 48 stages	#####
0008069Z	Strap Kit, 31 stages	143.00
0008072Z	Strap Kit, 39 stages	155.00
0008074Z	Strap Kit, 48 stages	155.00
0008040Z	Shaft Kit, 31 stages	202.00
0008043Z	Shaft Kit, 39 stages	237.00
0008045Z	Shaft Kit, 48 stages	245.00

MATERIAL NUMBER	DESCRIPTION	LIST PRICE (\$)
<b>7S Spline*</b>		
0008001Z	Inlet/Discharge Kit, 4"	218.00
0008003Z	Bearing Kit, up to 9 stages	93.00
0003001Z	Impeller Kit, up to 8 stages	160.00
0003002Z	Impeller Kit, 9 to 15 stages	178.00
0003003Z	Impeller Kit, 16 to 26 stages	257.00
0008014Z	Chamber Kit, up to 9 stages	280.00
0008015Z	Chamber Kit, 10 to 18 stages	395.00
0008016Z	Chamber Kit, 19 to 26 stages	463.00
0008054Z	Strap Kit, 8 stages	81.00
0008057Z	Strap Kit, 11 stages	91.00
0008061Z	Strap Kit, 15 stages	95.00
0008063Z	Strap Kit, 19 stages	98.00
0008067Z	Strap Kit, 26 stages	115.00
0008025Z	Shaft Kit, 8 stages	148.00
0008028Z	Shaft Kit, 11 stages	165.00
0008032Z	Shaft Kit, 15 stages	180.00
0008034Z	Shaft Kit, 19 stages	182.00
0008038Z	Shaft Kit, 26 stages	215.00

MATERIAL NUMBER	DESCRIPTION	LIST PRICE (\$)
<b>10S Spline*</b>		
0009002Z	Inlet/Discharge Kit, 4"	231.00
0008003Z	Bearing Kit, up to 9 stages	93.00
0009005Z	Impeller Kit, up to 9 stages	170.00
0009006Z	Impeller Kit, 10 to 18 stages	190.00
0009007Z	Impeller Kit, 19 to 27 stages	264.00

MATERIAL NUMBER	DESCRIPTION	LIST PRICE (\$)
<b>10S Spline* (continued)</b>		
0008014Z	Chamber Kit, up to 9 stages	280.00
0008015Z	Chamber Kit, 10 to 18 stages	395.00
0008016Z	Chamber Kit, 19 to 27 stages	463.00
0008052Z	Strap Kit, 6 stages	79.00
0008055Z	Strap Kit, 9 stages	85.00
0008058Z	Strap Kit, 12 stages	93.00
0008061Z	Strap Kit, 15 stages	95.00
0008064Z	Strap Kit, 21 stages	101.00
0008068Z	Strap Kit, 27 stages	115.00
0008023Z	Shaft Kit, 6 stages	143.00
0008026Z	Shaft Kit, 9 stages	150.00
0008029Z	Shaft Kit, 12 stages	156.00
0008032Z	Shaft Kit, 15 stages	180.00
0008035Z	Shaft Kit, 21 stages	200.00
0008039Z	Shaft Kit, 27 stages	197.00

MATERIAL NUMBER	DESCRIPTION	LIST PRICE (\$)
<b>10S Smooth</b>		
0009003Z	Inlet/Discharge Kit, 4"	382.00
0009004Z	Inlet/Discharge Kit, 58 stages, 4"	825.00
0010001Z	Inlet/Discharge Kit, 58 stages, 6"	1,889.00
0008006Z	Bearing Kit, 39 stages	329.00
0008007Z	Bearing Kit, 48 stages	381.00
0008008Z	Bearing Kit, 58 stages	436.00
0009008Z	Impeller Kit, 34 stages	953.00
0009009Z	Impeller Kit, 48 stages	1,522.00
0009010Z	Impeller Kit, 58 stages	1,974.00
0008017Z	Chamber Kit, 39 stages	1,075.00
0008018Z	Chamber Kit, 48 stages	1,317.00
0008019Z	Chamber Kit, 58 stages	1,557.00
0008070Z	Strap Kit, 34 stages	145.00
0008074Z	Strap Kit, 48 stages	155.00
0008077Z	Strap Kit, 58 stages	1,876.00
0008079Z	Strap Kit, 58 stages, 6"	1,895.00
0008041Z	Shaft Kit, 34 stages	233.00
0008045Z	Shaft Kit, 48 stages	245.00
0008048Z	Shaft Kit, 58 stages	262.00
0008080Z	Shaft Kit, 58 stage, 6"	509.00

MATERIAL NUMBER	DESCRIPTION	LIST PRICE (\$)
<b>16S Spline</b>		
0009002Z	Inlet/Discharge Kit, 4"	231.00
0008003Z	Bearing Kit, up to 9 stages	93.00
0010002Z	Impeller Kit, up to 8 stages	165.00
0010003Z	Impeller Kit, 10 to 14 stages	182.00
0010004Z	Impeller Kit, 19 to 24 stages	264.00
0008014Z	Chamber Kit, up to 9 stages	280.00
0008015Z	Chamber Kit, 10 to 18 stages	395.00
0008016Z	Chamber Kit, 19 to 27 stages	463.00
0008051Z	Strap Kit, 5 stages	77.00
0008054Z	Strap Kit, 8 stages	81.00
0008056Z	Strap Kit, 10 stages	87.00
0008060Z	Strap Kit, 14 stages	92.00
0008062Z	Strap Kit, 18 stages	96.00
0008066Z	Strap Kit, 24 stages	105.00
0008022Z	Shaft Kit, 5 stages	140.00
0008025Z	Shaft Kit, 8 stages	148.00
0008027Z	Shaft Kit, 10 stages	170.00
0008031Z	Shaft Kit, 14 stages	185.00
0008033Z	Shaft Kit, 18 stages	195.00
0008037Z	Shaft Kit, 24 stages	210.00

\*For Spline pumps, date code 9534 and older: when using a new style cable guard, a new style inlet is required.

**SP 4-INCH**  
Service Kits

GRUNDFOS PRICE LIST  
EFFECTIVE DATE: MARCH 19, 2018

MATERIAL NUMBER	DESCRIPTION	LIST PRICE (\$)
<b>16S Smooth</b>		
0009003Z	Inlet/Discharge Kit, 4"	382.00
0010001Z	Inlet/Discharge Kit, 56 stages, 6"	1,889.00
0008006Z	Bearing Kit, 39 stages	329.00
0008008Z	Bearing Kit, 56 stages	436.00
0008081Z	Bearing Kit, 75 stages	534.00
0010005Z	Impeller Kit, 38 stages	1,049.00
0010006Z	Impeller Kit, 56 stages	1,892.00
0010007Z	Impeller Kit, 75 stages	2,299.00
0008017Z	Chamber Kit, 39 stages	1,075.00
0008019Z	Chamber Kit, 56 stages	1,557.00
0008020Z	Chamber Kit, 75 stages	2,007.00
0008071Z	Strap Kit, 38 stages	150.00
0008076Z	Strap Kit, 56 stages	1,871.00
0008078Z	Strap Kit, 75 stages	2,006.00
0008042Z	Shaft Kit, 38 stages	236.00
0008047Z	Shaft Kit, 56 stages	507.00
0008049Z	Shaft Kit, 75 stages	531.00

MATERIAL NUMBER	DESCRIPTION	LIST PRICE (\$)
<b>25S Spline*</b>		
0005002Z	Inlet/Discharge Kit, 4"	295.00
0008003Z	Bearing Kit, up to 9 stages	93.00
0005005Z	Impeller Kit, up to 7 stages	170.00
0005006Z	Impeller Kit, up to 15 stages	235.00
0005007Z	Impeller Kit, up to 26 stages	335.00
0005010Z	Chamber Kit, up to 7 stages	204.00
0005011Z	Chamber Kit, up to 15 stages	296.00
0005012Z	Chamber Kit, up to 26 stages	450.00
0008050Z	Strap Kit, 3 stages	75.00
0008051Z	Strap Kit, 5 stages	77.00
0008053Z	Strap Kit, 7 stages	79.00
0008055Z	Strap Kit, 9 stages	85.00
0008057Z	Strap Kit, 11 stages	91.00
0008061Z	Strap Kit, 15 stages	95.00
0008067Z	Strap Kit, 26 stages	115.00
0008021Z	Shaft Kit, 3 stages	134.00
0008022Z	Shaft Kit, 5 stages	140.00
0008024Z	Shaft Kit, 7 stages	160.00
0008026Z	Shaft Kit, 9 stages	150.00
0008028Z	Shaft Kit, 11 stages	165.00
0008032Z	Shaft Kit, 15 stages	180.00
0008038Z	Shaft Kit, 26 stages	215.00

MATERIAL NUMBER	DESCRIPTION	LIST PRICE (\$)
<b>25S Smooth</b>		
0005003Z	Inlet/Discharge Kit, 4" x 6"	833.00
0005004Z	Inlet/Discharge Kit, 52 stages, 6"	1,899.00
0008006Z	Bearing Kit, 39 stages	329.00
0008008Z	Bearing Kit, 52 stages	436.00
0005008Z	Impeller Kit, 39 stages	1,236.00
0005009Z	Impeller Kit, 52 stages	1,663.00
0005013Z	Chamber Kit, 39 stages	1,101.00
0005014Z	Chamber Kit, 52 stages	1,435.00
0008072Z	Strap Kit, 39 stages	155.00
0008075Z	Strap Kit, 52 stages	1,832.00
0008044Z	Shaft Kit, 39 stages	473.00
0008046Z	Shaft Kit, 52 stages	500.00

MATERIAL NUMBER	DESCRIPTION	LIST PRICE (\$)
<b>40S</b>		
0011001Z	Inlet/Discharge Kit, 4"	450.00
0011002Z	Inlet/Discharge Kit, 4" UNI	434.00
0011003Z	Inlet/Discharge Kit, 4" x 6"	848.00
0011004Z	Impeller Kit, 7 stages	435.00
0011005Z	Impeller Kit, 15 stages	590.00
0011006Z	Impeller Kit, 30 stages	988.00
0011007Z	Impeller Kit, 44 stages, 6"	2,150.00
0011008Z	Chamber Kit, 7 stages	491.00
0011009Z	Chamber Kit, 15 stages	813.00
0011010Z	Chamber Kit, 30 stages	1,482.00

Material Number	DESCRIPTION	LIST PRICE (\$)
<b>40S (continued)</b>		
0011011Z	Chamber Kit, 37 stages, 6"	1,815.00
0011012Z	Chamber Kit, 44 stages, 6"	1,950.00
0011023Z	Strap Kit, 3 stages	75.00
0011024Z	Strap Kit, 5 stages	84.00
0011025Z	Strap Kit, 7 stages	84.00
0011026Z	Strap Kit, 9 stages	87.00
0011027Z	Strap Kit, 12 stages	93.00
0011028Z	Strap Kit, 15 stages	97.00
0011029Z	Strap Kit, 21 stages	124.00
0011030Z	Strap Kit, 25 stages	121.00
0011031Z	Strap Kit, 30 stages	132.00
0011032Z	Strap Kit, 30 stages, 6"	152.00
0011013Z	Shaft Kit, 3 stages	145.00
0011014Z	Shaft Kit, 5 stages	145.00
0011015Z	Shaft Kit, 7 stages	145.00
0011016Z	Shaft Kit, 9 stages	150.00
0011017Z	Shaft Kit, 12 stages	160.00
0011018Z	Shaft Kit, 15 stages	152.00
0011019Z	Shaft Kit, 21 stages	340.00
0011020Z	Shaft Kit, 25 stages	394.00
0011021Z	Shaft Kit, 30 stages	402.00
0011022Z	Shaft Kit, 30 stages, 6"	612.00

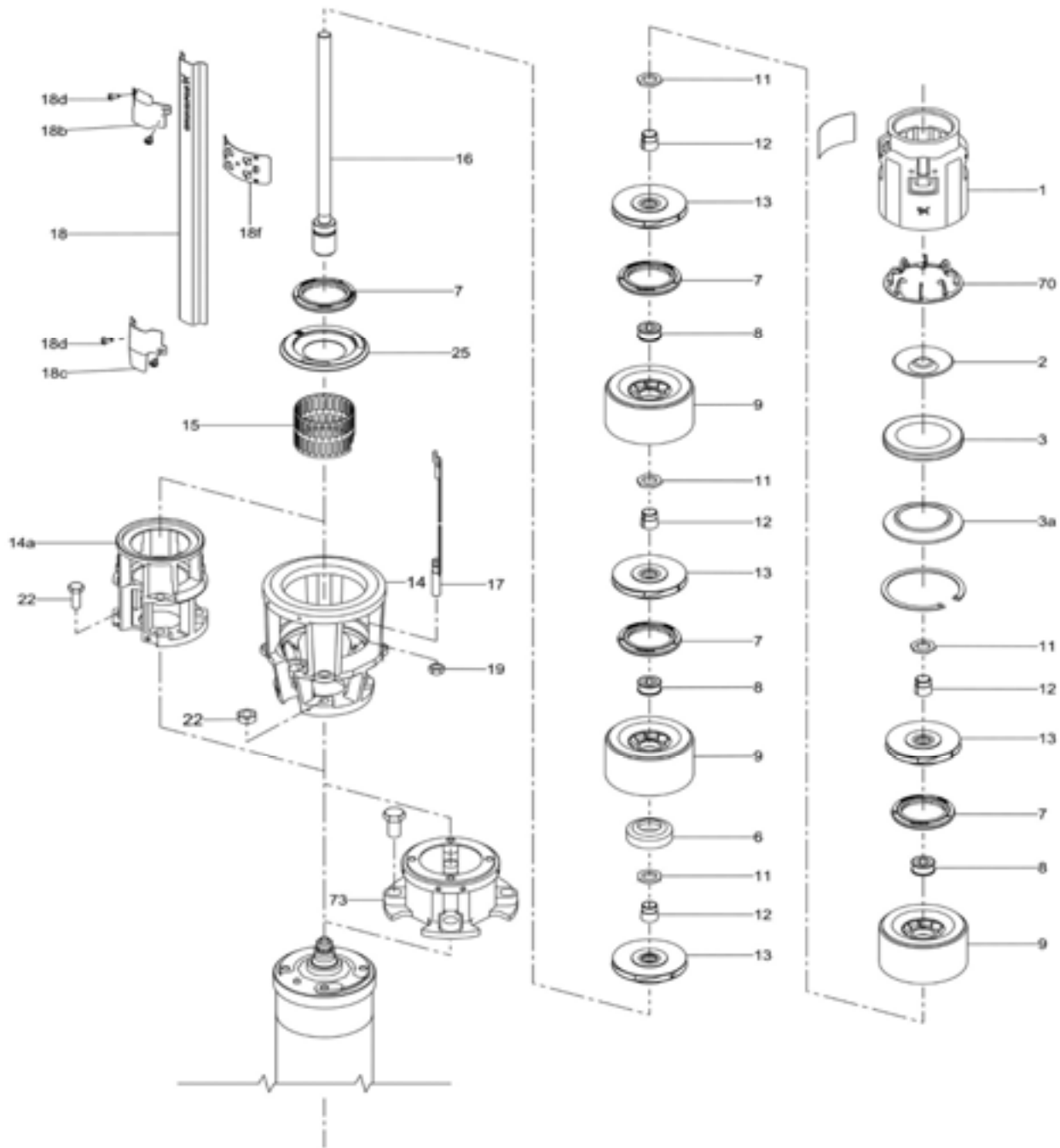
<b>For units mfg. Prior to 3/94.</b>		
0011033Z	Bearing Kit for 4" units up to 30 stages, 9 sets to kit.	154.00
0011034Z	Bearing Kit for HH units, 22 sets to a kit.	256.00

<b>For units mfg. AFTER 3/94.</b>		
0011035Z	Bearing Kit for 4" units up to 30 stages, 9 sets to kit.	81.00
0011036Z	Bearing Kit for HH units, 22 sets to a kit.	154.00

MATERIAL NUMBER	DESCRIPTION	LIST PRICE (\$)
<b>60S</b>		
0006001Z	Inlet/Discharge Kit, 4"	395.00
0006026Z	Bearing Kit, up to 9 stages	262.00
95061396	Kit-Seal Ring FKM (qty. 1)	86.00
95061372	Kit-Bearing FKM (qty. 1)	49.00
0006002Z	Impeller Kit, 9 stages	865.00
0006003Z	Impeller Kit, 18 stages	1,309.00
0006024Z	Chamber Kit, 9 stages	1,075.00
0006025Z	Chamber Kit, 18 stages	2,025.00
0006015Z	Strap Kit, 4 stages	83.00
0006016Z	Strap Kit, 5 stages	88.00
0006017Z	Strap Kit, 7 stages	94.00
0006019Z	Strap Kit, 9 stages	95.00
0006021Z	Strap Kit, 13 stages	113.00
0006023Z	Strap Kit, 18 stages	125.00
0006005Z	Shaft Kit, 4 stages	185.00
0006006Z	Shaft Kit, 5 stages	195.00
0006007Z	Shaft Kit, 7 stages	205.00
0006009Z	Shaft Kit, 9 stages	220.00
0006011Z	Shaft Kit, 13 stages	245.00
0006013Z	Shaft Kit, 18 stages	260.00

MATERIAL NUMBER	DESCRIPTION	LIST PRICE (\$)
<b>75S</b>		
0006001Z	Inlet/Discharge Kit, 4"	395.00
0006026Z	Bearing Kit, up to 9 stages	262.00
95061396	Kit-Seal Ring FKM (qty. 1)	86.00
95061372	Kit-Bearing FKM (qty. 1)	49.00
0007001Z	Impeller Kit, 8 stages	850.00
0007002Z	Impeller Kit, 16 stages	1,450.00
0006024Z	Chamber Kit, 9 stages	1,075.00
0006025Z	Chamber Kit, 18 stages	2,025.00
0006014Z	Strap Kit, 3 stages	82.00
0006016Z	Strap Kit, 5 stages	88.00
0006018Z	Strap Kit, 8 stages	107.00
0006020Z	Strap Kit, 12 stages	112.00
0006022Z	Strap Kit, 16 stages	121.00
0006004Z	Shaft Kit, 3 stages	150.00
0006006Z	Shaft Kit, 5 stages	195.00
0006008Z	Shaft Kit, 8 stages	210.00
0006010Z	Shaft Kit, 12 stages	245.00
0006012Z	Shaft Kit, 16 stages	238.00

\*For Spline pumps, date code 9534 and older: when using a new style cable guard, a new style inlet is required.



**SP 35, 45, 62, 77**

**Wear parts**

**SP 35, 45 NBR**

Kit No.	98766923	98766924	98766929	98766930	98766935	98766936	98766941	98766942	98766947
Pos.	1		2-5		6-10		11-25		26-50
Description									
3a	Valve seat	1	1	1	1	1	1	1	1
8	Bearing shaft $\varnothing$ 12,5	1	-	5	-	10	-	25	50
8	Bearing shaft $\varnothing$ 16	-	1	-	5	-	10	-	25
7 / 68	Seal ring	2	2	6	6	10	10	25	25

**SP 35, 45 FKM**

Kit No.	98766926	98766926	98766931	98766932	98766937	98766938	98766943	98766944	98766948
Pos.	1		2-5		6-10		11-25		26-50
Description									
3a	Valve seat	1	1	1	1	1	1	1	1
8	Bearing shaft $\varnothing$ 12,5	1	-	5	-	10	-	25	50
8	Bearing shaft $\varnothing$ 16	-	1	-	5	-	10	-	25
7 / 68	Seal ring	2	2	6	6	11	11	26	26

**SP 62, 77 NBR**

Kit No.	98766927	98766933	98766939	98766945
Pos.	1		5	10
Description				
3a	Valve seat	1	1	1
8	Bearing shaft $\varnothing$ 16	1	5	10
7 / 68	Seal ring	2	2	6

**SP 62, 77 FKM**

Kit No.	98766928	98766934	98766940	98766946
Pos.	1		5	10
Description				
3a	Valve seat	1	1	1
8	Bearing shaft $\varnothing$ 16	1	5	10
7 / 68	Seal ring	2	6	11

**SP 35, 45, 62, 77**  
**Kits, Wear Parts**

GRUNDFOS PRICE LIST  
EFFECTIVE DATE: MARCH 19, 2018

Part Number	Description	List Price
98766923	Kit, Wear Parts 35/45, D12, NBR 1 stg	\$ 102.87
98766924	Kit, Wear Parts 35/45, D16, NBR 1 stg	\$ 111.77
98766929	Kit, Wear Parts 35/45, NBR 5 stg	\$ 124.74
98766930	Kit, Wear Parts 35/45, D12, NBR 5 stg	\$ 123.20
98766935	Kit, Wear Parts 35/45, D12, NBR 10 stg	\$ 140.17
98766936	Kit, Wear Parts 35/45, D12, NBR 10 stg	\$ 136.63
98766941	Kit, Wear Parts 35/45, D16, NBR 10 stg	\$ 184.58
98766942	Kit, Wear Parts 35/45, D16, NBR 25 stg	\$ 176.27
98766947	Kit, Wear Parts 35/45, D16, NBR 50 stg	\$ 239.01
98766925	Kit, Wear Parts 35/45, D16, FKM 1 stg	\$ 174.79
98766926	Kit, Wear Parts 35/45, D16, FKM 1 stg	\$ 173.84
98766931	Kit, Wear Parts 35/45, D12, FKM 5 stg	\$ 297.62
98766932	Kit, Wear Parts 35/45, D16, FKM 5 stg	\$ 293.34
98766937	Kit, Wear Parts 35/45, D12, FKM 10 stg	\$ 434.62
98766938	Kit, Wear Parts 35/45, D16, FKM 10 stg	\$ 432.56
98766943	Kit, Wear Parts 35/45, D12, FKM 25 stg	\$ 839.45
98766944	Kit, Wear Parts 35/45, D16, FKM 25 stg	\$ 820.85
98766948	Kit, Wear Parts 35/45, D16, FKM 50 stg	\$ 1,426.13
98766927	Kit, Wear Parts 62/77, NBR 1 stg	\$ 111.31
98766933	Kit, Wear Parts 62/77, NBR 5 stg	\$ 121.66
98766939	Kit, Wear Parts 62/77, NBR 10 stg	\$ 134.32
98766945	Kit, Wear Parts 62/77, NBR 25 stg	\$ 171.06
98766928	Kit, Wear Parts 62/77, FKM 1 stg	\$ 176.11
98766934	Kit, Wear Parts 62/77, FKM 5 stg	\$ 299.50
98766940	Kit, Wear Parts 62/77, FKM 10 stg	\$ 443.18
98766946	Kit, Wear Parts 62/77, FKM 25 stg	\$ 844.35

**SP 6, 8, 10-INCH**  
Service Kits

GRUNDFOS PRICE LIST  
EFFECTIVE DATE: MARCH 19, 2018

MATERIAL NUMBER	DESCRIPTION	LIST PRICE (\$)
<b>85S (SP17) A Model Repair Kits</b>		
96421723	1-5 stage, NBR	310.00
96421724	6-16 stage, NBR	505.00
96421725	17-26 stage, NBR	655.00
96440238	27-40 stage, NBR	860.00
96440235	1-5 stage, FKM	445.00
96440233	6-16 stage, FKM	730.00
96440237	17-26 stage, FKM	1,105.00
96440239	27-40 stage, FKM	1,600.00

MATERIAL NUMBER	DESCRIPTION	LIST PRICE (\$)
<b>85S (SP17) B Model Repair Kits</b>		
97945520	1-5 stage, NBR	387.00
97945521	6-12 stage, NBR	485.00
97937872	13-19 stage, NBR	585.00
97937873	20-30 stage, NBR	665.00
97937874	31-40 stage, NBR	978.00
97937891	1-5 stage, FKM	587.00
97937892	6-12 stage, FKM	882.00
97937893	13-19 stage, FKM	1,050.00
97937894	20-30 stage, FKM	1,675.00
97937895	31-40 stage, FKM	2,125.00
98098277	1-5 stage, NBR/LSR	452.00
98098278	6-12 stage, NBR/LSR	575.00
98098279	13-19 stage, NBR/LSR	691.00
98098280	20-30 stage, NBR/LSR	719.00
98098311	31-40 stage, NBR/LSR	879.00

MATERIAL NUMBER	DESCRIPTION	LIST PRICE (\$)
<b>150S (SP30) A Model Repair Kits</b>		
96421732	1-5 stage, NBR	320.00
96421733	6-16 stage, NBR	525.00
96421734	17-27 stage, NBR	665.00
96440246	28-39 stage, NBR	970.00
96440241	1-5 stage, FKM	595.00
96440243	6-16 stage, FKM	1,371.00
96440245	17-27 stage, FKM	1,600.00
96440247	28-35 stage, FKM	2,314.00

MATERIAL NUMBER	DESCRIPTION	LIST PRICE (\$)
<b>150S (SP30) B Model Repair Kits</b>		
97945522	1-5 stage, NBR	390.00
97937877	6-15 stage, NBR	525.00
97937878	16-27 stage, NBR	759.00
97937879	28-39 stage, NBR	978.00
97937898	1-5 stage, FKM	598.00
97937899	6-15 stage, FKM	1,225.00
97937900	16-27 stage, FKM	1,675.00
97937901	28-39 stage, FKM	2,398.00
98098314	1-5 stage, NBR/LSR	395.00
98098315	6-15 stage, NBR/LSR	635.00
98098316	16-27 stage, NBR/LSR	926.00
98098317	28-39 stage, NBR/LSR	1,185.00

MATERIAL NUMBER	DESCRIPTION	LIST PRICE (\$)
<b>230S (SP46) A Model Repair Kits</b>		
96440248	1-6 stage, NBR	425.00
96440250	7-10 stage, NBR	490.00
96440252	11-16 stage, NBR	580.00
96440254	17-24 stage, NBR	700.00
96440249	1-6 stage, FKM	495.00
96440251	7-10 stage, FKM	883.00
96440253	11-16 stage, FKM	1,249.00
96440255	17-24 stage, FKM	1,375.00

NOTE: For contents of kits, see the Grundfos Product Center.

MATERIAL NUMBER	DESCRIPTION	LIST PRICE (\$)
<b>230S (SP46) B Model Repair Kits</b>		
97937881	1-6 stage, NBR	360.00
97937882	7-12 stage, NBR	510.00
97937883	13-18 stage, NBR	610.00
97937884	19-24 stage, NBR	710.00
97937903	1-6 stage, FKM	639.00
97937904	7-12 stage, FKM	1,359.00
97937905	13-18 stage, FKM	1,450.00
97937906	19-24 stage, FKM	1,675.00
98098319	1-6 stage, NBR/LSR	425.00
98098320	7-12 stage, NBR/LSR	636.00
98098321	13-18 stage, NBR/LSR	790.00
98098322	19-24 stage, NBR/LSR	941.00

MATERIAL NUMBER	DESCRIPTION	LIST PRICE (\$)
<b>300S (SP60) A Model Repair Kits</b>		
96440369	1-6 stage, NBR	570.00
96440371	7-10 stage, NBR	700.00
96440373	11-16 stage, NBR	795.00
96440375	17-22 stage, NBR	763.00
96440370	1-6 stage, FKM	686.00
96440372	7-10 stage, FKM	1,116.00
96440374	11-16 stage, FKM	1,375.00
96440376	17-20 stage, FKM	1,825.00

MATERIAL NUMBER	DESCRIPTION	LIST PRICE (\$)
<b>300S (SP60) B Model Repair Kits</b>		
97937886	1-6 stage, NBR	441.00
97937887	7-12 stage, NBR	524.00
97937888	13-18 stage, NBR	620.00
97937889	19-24 stage, NBR	815.00
97937908	1-6 stage, FKM	648.00
97937909	7-12 stage, FKM	1,373.00
97937910	13-18 stage, FKM	1,643.00
97937911	19-24 stage, FKM	1,907.00
98098324	1-6 stage, NBR/LSR	472.00
98098325	7-12 stage, NBR/LSR	632.00
98098326	13-18 stage, NBR/LSR	785.00
98098327	19-24 stage, NBR/LSR	937.00

MATERIAL NUMBER	DESCRIPTION	LIST PRICE (\$)
<b>385S (SP77) Repair Kits</b>		
96440256	1-8 stage, NBR	450.00
96440258	9-15 stage, NBR	650.00
96440257	1-8 stage, FKM	680.00
96440259	9-14 stage, FKM	1,325.00

MATERIAL NUMBER	DESCRIPTION	LIST PRICE (\$)
<b>475S (SP95) Repair Kits</b>		
96440715	1-8 stage, NBR	575.00
96440716	9-14 stage, NBR	705.00
96440718	1-8 stage, FKM	865.00
96440719	9-14 stage, FKM	1,350.00

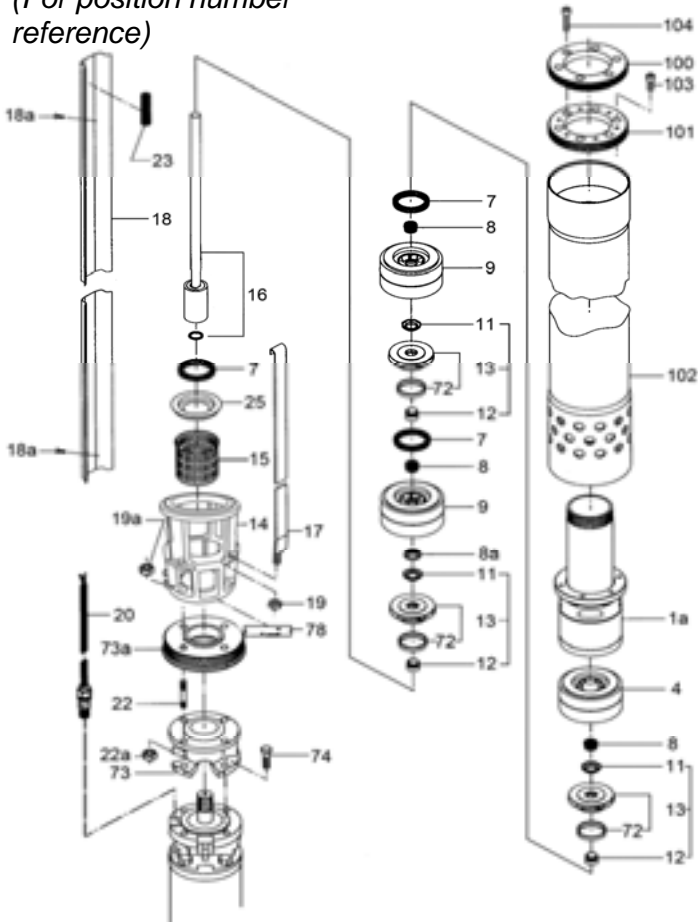
MATERIAL NUMBER	DESCRIPTION	LIST PRICE (\$)
<b>625S (SP125) Repair Kits</b>		
96440262	1-4 stage, NBR	325.00
96440264	5-6 stage, NBR	425.00
96440266	7-10 stage, NBR	675.00
96440263	1-4 stage, FKM	465.00
96440265	5-6 stage, FKM	665.00
96440267	7-10 stage, FKM	980.00

MATERIAL NUMBER	DESCRIPTION	LIST PRICE (\$)
<b>800S (SP160) Repair Kits</b>		
205117	1-5 stage, NBR	405.00
205118	6-9 stage, NBR	859.00

MATERIAL NUMBER	DESCRIPTION	LIST PRICE (\$)
<b>1100S (SP215) Repair Kits</b>		
185033	1-2 stage, NBR	375.00
185034	3-4 stage, NBR	435.00
185035	5-7 stage, NBR	640.00

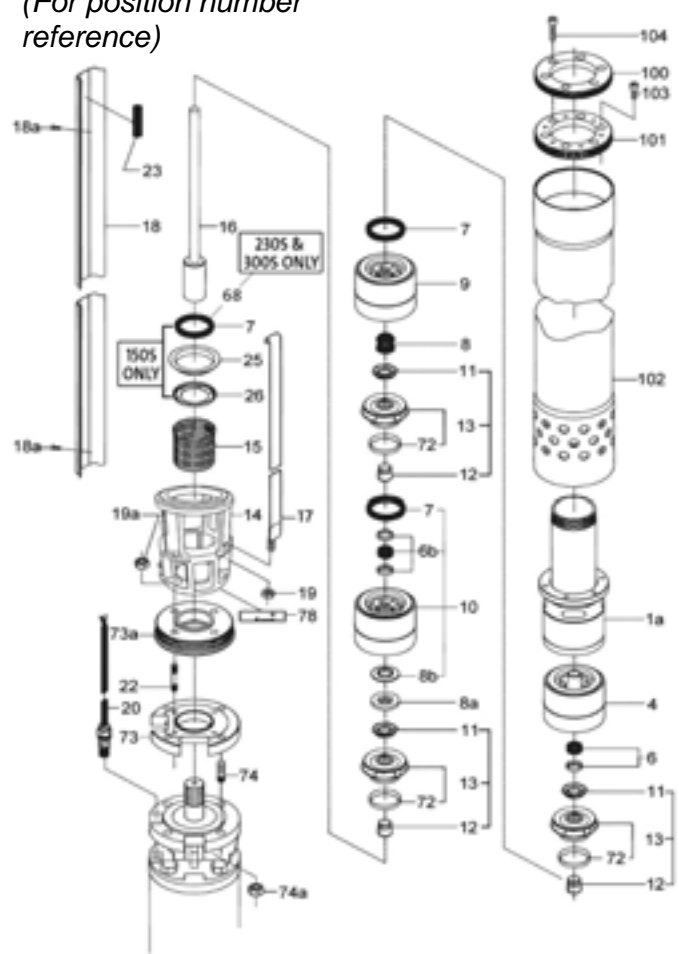
# 85S

(For position number reference)

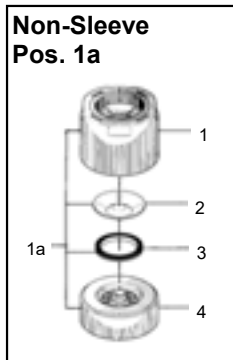


# 150S to 300S

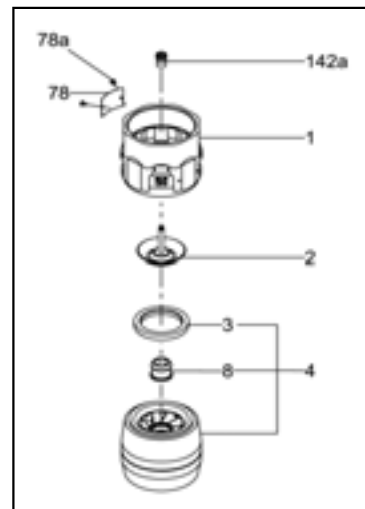
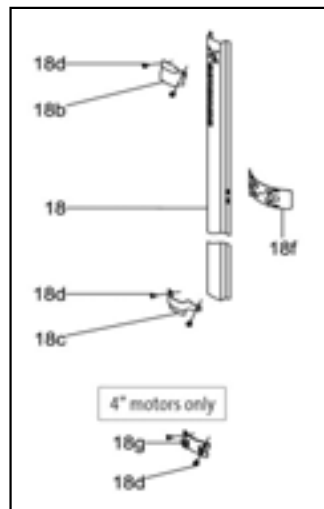
(For position number reference)



## A Model



## B Models



**SP 6, 8, 10-INCH**  
Spare Parts

**GRUNDFOS PRICE LIST**  
EFFECTIVE DATE: MARCH 19, 2018

MATERIAL NUMBER	POS. NO.	DESCRIPTION	LIST PRICE (\$)
<b>85S</b>			
95061978	1	Valve Housing, 3" NPT, 1-19 stage	410.00
96591935	1a	Discharge, 3"NPT, 304&NBR, 20-30DS>0139***	605.00
145011		Discharge w/Pipe 3" NPT, 304&NBR, 29-39DS	2,809.00
96931764		Discharge, 3"NPT, 904L-FKM, 20-30DS >0139***	2,741.00
145580		Discharge w/Pipe 3" NPT, FKM, 29-39DS	3,334.00
96550810	2	Check Valve Cup	45.00
96591964	3	Check Valve Seat, NBR	99.00
125973		Check Valve Seat, FKM	234.00
96544769	4	Top Chamber, NBR, 1-19 stage	235.00
125127		Top Chamber, FKM, 1-19 stage	286.00
97753609	4a	Top Chamber, NBR, 20-39DS, Mfg.> 0139***	251.00
125128		Top Chamber, FKM, 20-39DS, Mfg.> 0139***	276.00
96544768	9	Intermediate Chamber, NBR (qty. 1)	270.00
97753829		Intermediate Chamber, NBR (qty. of 5)	640.00
125129		Intermediate Chamber FKM (qty. 1)	293.00
97508314	8a, 11 & 12	Upthrust washer, Split Cone Nut & Cone (qty. 1)	126.00
97508279	11 & 12	Split Cone Nut and Cone (qty. 1)	122.00
97508280		Split Cone Nut and Cone (qty. 5)	405.00
97508312		Split Cone Nut and Cone (qty. 10)	1,093.00
97506595	13	Impeller cpl. w/pos. 11, 12, & 72 (qty. 1)	130.00
97506611		Impeller cpl. w/pos. 11, 12, & 72 (qty. 5)	570.00
96591961	14	Suction Interconnector, 4" motor	297.00
96551388		Suction Intercon. 6 & 8" mtr. add pos. 73(a)	361.00
96456330	15	Strainer for 4" motor	51.00
96591939		Strainer for 6" motor	38.00
96592009		Strainer for pump in sleeve	83.00
96551390		Strainer for 8" motor	81.00
127001	16	Shaft w/coupling, 1 stage, 4" motor	130.00
96591955		Shaft w/coupling, 2 stage, 4" motor	130.00
127003		Shaft w/coupling, 3 stage, 4" motor	157.00
96591956		Shaft w/coupling, 4 stage, 4" motor	155.00
127005		Shaft w/coupling, 5 stage, 4" motor	295.00
127006		Shaft w/coupling, 6 stage, 4" motor	300.00
96591957		Shaft w/coupling, 7 stage, 4" motor	285.00
96591958		Shaft w/coupling, 8 stage, 4" motor	315.00
127009		Shaft w/coupling, 9 stage, 4" motor	332.00
126705		Shaft w/coupling, 5 stage, 6" motor	240.00
126706		Shaft w/coupling, 6 stage, 6" motor	242.00
96591950		Shaft w/coupling, 7 stage, 6" motor	248.00
126708		Shaft w/coupling, 8 stage, 6" motor	263.00
126709		Shaft w/coupling, 9 stage, 6" motor	358.00
126710		Shaft w/coupling, 10 stage, 6" motor	345.00
126711		Shaft w/coupling, 11 stage, 6" motor	360.00
126712		Shaft w/coupling, 12 stage, 6" motor	383.00
126713		Shaft w/coupling, 13 stage, 6" motor	395.00
126714		Shaft w/coupling, 14 stage, 6" motor	407.00
126715		Shaft w/coupling, 15 stage, 6" motor	400.00
126716		Shaft w/coupling, 16 stage, 6" motor	426.00
126717		Shaft w/coupling, 17 stage, 6" motor	441.00
126718		Shaft w/coupling, 18 stage, 6" motor	450.00
126719		Shaft w/coupling, 19 stage, 6" motor	461.00
126720		Shaft w/coupling, 20 stage, 6" motor	474.00
126721		Shaft w/coupling, 21 stage, 6" motor	482.00
126722		Shaft w/coupling, 22 stage, 6" motor	620.00
126723		Shaft w/coupling, 23 stage, 6" motor	700.00
126724		Shaft w/coupling, 24 stage, 6" motor	710.00
126725		Shaft w/coupling, 25 stage, 6" motor	720.00
96591952		Shaft w/coupling, 26 stage, 6" motor	712.00
126727		Shaft w/coupling, 27 stage, 6" motor	740.00
126728		Shaft w/coupling, 28 stage, 6" motor	749.00
126729		Shaft w/coupling, 29 stage, 6" motor	758.00
126730		Shaft w/coupling, 30 stage, 6" motor	767.00
127033		Shaft w/coupling, 33 stage, 6" motor	796.00
127036		Shaft w/coupling, 36 stage, 6" motor	828.00
127039		Shaft w/coupling, 39 stage, 6" motor	861.00
127233		Shaft w/coupling, 33 stage, 8" motor	796.00
127236		Shaft w/coupling, 36 stage, 8" motor	828.00
127239		Shaft w/coupling, 39 stage, 8" motor	861.00
00128A01	17	Strap, 1 stage, 4" motor	35.00
00128A02		Strap, 2 stage, 4" motor	35.00
00128A03		Strap, 3 stage, 4" motor	36.00
00128A04		Strap, 4 stage, 4" motor	37.00
00128A05		Strap, 5 stage, 4" motor	39.00
00128A06		Strap, 6 stage, 4" motor	41.00
00128A07		Strap, 7 stage, 4" motor	43.00
00128A08		Strap, 8 stage, 4" motor	41.00
00128A09		Strap, 9 stage, 4" motor	47.00
00128D05		Strap, 5 stage, 6" motor	43.00
00128D06		Strap, 6 stage, 6" motor	45.00
00128D07		Strap, 7 stage, 6" motor	47.00
00128D08		Strap, 8 stage, 6" motor	49.00

MATERIAL NUMBER	POS. NO.	DESCRIPTION	LIST PRICE (\$)
<b>85S (continued)</b>			
00128D09	17	Strap, 9 stage, 6" motor	51.00
00128D10		Strap, 10 stage, 6" motor	52.00
00128D11		Strap, 11 stage, 6" motor	42.00
00128D12		Strap, 12 stage, 6" motor	56.00
00128D13		Strap, 13 stage, 6" motor	59.00
00128D14		Strap, 14 stage, 6" motor	61.00
00128D15		Strap, 15 stage, 6" motor	63.00
00128D16		Strap, 16 stage, 6" motor	63.00
00128D17		Strap, 17 stage, 6" motor	66.00
00128D18		Strap, 18 stage, 6" motor	70.00
00128D19		Strap, 19 stage, 6" motor	73.00
00128J20		Strap, 20 stage, 6" motor, mfg. >0139	73.00
00128J21		Strap, 21 stage, 6" motor, mfg. >0139	76.00
00128J22		Strap, 22 stage, 6" motor, mfg. >0139	77.00
00128J23		Strap, 23 stage, 6" motor, mfg. >0139	81.00
00128J24		Strap, 24 stage, 6" motor, mfg. >0139	87.00
00128J25		Strap, 25 stage, 6" motor, mfg. >0139	90.00
00128J26		Strap, 26 stage, 6" motor, mfg. >0139	90.00
00128J27		Strap, 27 stage, 6" motor, mfg. >0139	95.00
00128J28		Strap, 28 stage, 6" motor, mfg. >0139	96.00
00128J29		Strap, 29 stage, 6" motor, mfg. >0139	98.00
00128J30		Strap, 30 stage, 6" motor, mfg. >0139	100.00
00128J33		Strap, 33 stage, in Sleeve, 6" & 8" motor	138.00
00128J36		Strap, 36 stage, in Sleeve, 6" & 8" motor	148.00
00128J39		Strap, 39 stage, in Sleeve, 6" & 8" motor	168.00
00129A01	18	Cable Guard, 1 stage, 4" motor	52.00
00129A02		Cable Guard, 2 stage, 4" motor	61.00
00129A03		Cable Guard, 3 stage, 4" motor	61.00
00129A04		Cable Guard, 4 stage, 4" motor	63.00
00129A05		Cable Guard, 5 stage, 4" motor	63.00
00129A06		Cable Guard, 6 stage, 4" motor	65.00
00129A07		Cable Guard, 7 stage, 4" motor	66.00
00129A08		Cable Guard, 8 stage, 4" motor	66.00
00129A09		Cable Guard, 9 stage, 4" motor	68.00
00129D05		Cable Guard, 5 stage, 6" motor	46.00
00129D06		Cable Guard, 6 stage, 6" motor	47.00
00129D07		Cable Guard, 7 stage, 6" motor	49.00
00129D08		Cable Guard, 8 stage, 6" motor	51.00
00129D09		Cable Guard, 9 stage, 6" motor	52.00
00129D10		Cable Guard, 10 stage, 6" motor	53.00
00129D11		Cable Guard, 11 stage, 6" motor	55.00
00129D12		Cable Guard, 12 stage, 6" motor	57.00
00129D13		Cable Guard, 13 stage, 6" motor	58.00
00129D14		Cable Guard, 14 stage, 6" motor	61.00
00129D15		Cable Guard, 15 stage, 6" motor	74.00
00129D16		Cable Guard, 16 stage, 6" motor	76.00
00129D17		Cable Guard, 17 stage, 6" motor	80.00
00129D18		Cable Guard, 18 stage, 6" motor	80.00
00129D19		Cable Guard, 19 stage, 6" motor	81.00
00129J20		Cable Guard, 20 stage, 6" motor, mfg. > 0139	78.00
00129J21		Cable Guard, 21 stage, 6" motor, mfg. > 0139	81.00
00129J22		Cable Guard, 22 stage, 6" motor, mfg. > 0139	82.00
00129J23		Cable Guard, 23 stage, 6" motor, mfg. > 0139	84.00
00129J24		Cable Guard, 24 stage, 6" motor, mfg. > 0139	86.00
00129J25		Cable Guard, 25 stage, 6" motor, mfg. > 0139	87.00
00129J26		Cable Guard, 26 stage, 6" motor, mfg. > 0139	90.00
00129J27		Cable Guard, 27 stage, 6" motor, mfg. > 0139	94.00
00129J28		Cable Guard, 28 stage, 6" motor, mfg. > 0139	109.00
00129J29		Cable Guard, 29 stage, 6" motor, mfg. > 0139	110.00
00129J30		Cable Guard, 30 stage, 6" motor, mfg. > 0139	113.00
123763		Cable Guard, 33 stage, 6" & 8" motor	315.00
123764		Cable Guard, 36 stage, 8" motor	322.00
123765		Cable Guard, 39 stage, 8" motor	339.00
96413437	18a	Cable Guard Screw, M5x10mm A4	10.00
96438757	19	Strap Nut, M10, 4" motor, Delta Seal	10.00
96438758	19/19a	Strap Nut, M12-NV19, 6"-8" motor, Delta Seal	10.00
00ID0143	19a/22a	Motor Nut, 5/16", 316 SS, 4" motor	10.00
00ID0144	19a	Motor Nut, M8-NV13, 4" motor	10.00
00ID3925		Motor Nut, 5/16", 304 SS, 4" motor	10.00
140022	22	Staybolt, M12 x 82mm, 8" motor	28.00
140064		Staybolt, M12 x 105mm, 6" motor	28.00
00ID0876	22a	Nut, for Motor Staybolt, 6-8" motor	10.00
110033	23	Rubber Motor Lead Guard, 4" motor, NBR	10.00
96592219		Rubber Motor Lead Guard, 6" motor, NBR	11.00
95062181		Rubber Motor Lead Guard, 4-6" motor, FKM	28.00
95061613	25	Seal Ring Retainer	29.00
95062133	64	Priming Inducer	28.00
95061389	72	Wear Ring, Impeller (Qty.1)	10.00
96551338		Wear Ring, Impeller (Qty.25)	187.00
97824749	73	Adapter Plate/Intermediate Flange, 6" motor	573.00
130128		Adapter Plate, 6" x 8", Y/D	1,289.00
130056		Adapter Plate, 6" x 8"	1,150.00

NOTES: Position numbers not referenced are only available in kits.  
\*\*\* All items marked with >0139 must be used together.

< = Before, > = After



**SP 6, 8, 10-INCH**  
Spare Parts

GRUNDFOS PRICE LIST  
EFFECTIVE DATE: MARCH 19, 2018

MATERIAL NUMBER	POS. NO.	DESCRIPTION	LIST PRICE (\$)	MATERIAL NUMBER	POS. NO.	DESCRIPTION	LIST PRICE (\$)
<b>85S (continued)</b>				<b>150S (continued)</b>			
120026	73a	Bottom Plate, Sleeve, 6" motor	1,301.00	00136A27	16	Shaft w/cpling, 27 stg. 6" mtr. L=2788, used w/pos. 73	1,094.00
140014		Bottom Plate, Sleeve, 8" motor	1,173.00	00136A28		Shaft w/cpling, 28 stg. 6" mtr. L=2884, used w/pos. 73	1,119.00
00ID0188	74	Motor Bolt, 1/2" x 32	10.00	00136D29		Shaft w/cpling, 29 stg., 6" mtr., L=3025, use w/pos. 73	1,153.00
160027		Motor Staybolt for 8" motor, M16 x 55	31.00	00136D31		Shaft w/cpling, 31 stg., 6" mtr., L=3217, use w/pos. 73	1,200.00
96438759	74a	Nut, M16, Delta Seal	10.00	00136D33		Shaft w/cpling, 33 stg., 6" mtr., L=3409, use w/pos. 73	1,248.00
120174	75	Priming Inducer Spacer ø20 x 40mm, 5-6 stg.	10.00	00136K21		Shaft, 21 stage, 8" motor	968.00
120178		Priming Inducer Spacer ø20 x 20mm, 1-4 stg.	10.00	00136K22		Shaft, 22 stage, 8" motor	884.00
140009	100	Counter Tightening Flange	821.00	00136K23		Shaft, 23 stage, 8" motor	902.00
140010	101	Tightening Flange	954.00	00136K24		Shaft, 24 stage, 8" motor	1,040.00
00129G80	102	Sleeve, 33 stage	2,643.00	00136K25		Shaft, 25 stage, 8" motor	1,065.00
00129G81		Sleeve, 36 stage	2,736.00	00136K26		Shaft, 26 stage, 8" motor	1,089.00
00129G82		Sleeve, 39 stage	2,916.00	00136K27		Shaft, 27 stage, 8" motor	1,112.00
00ID1370	103	Sleeve Allen Bolt, M10 x 25mm	10.00	00136K28		Shaft, 28 stage, 8" motor	1,137.00
00ID2215	104	Sleeve Allen Bolt, M10 x 40mm	10.00	00136P29		Shaft, 29 stage, 8" motor	1,157.00
<b>150S</b>				00136P31		Shaft, 31 stage, 8" motor	1,204.00
95061978	1	Valve Housing, 3" NPT, 1-15 stage	410.00	00136P33		Shaft, 33 stage, 8" motor	1,251.00
96592002	1a	Discharge, 3" NPT. 304SS, NBR, 16-28DS	740.00	00136P36		Shaft, 36 stage, 8" motor	1,321.00
135627		Discharge, 3" NPT. 316SS, FKM, 16-28DS	1,642.00	00136P39		Shaft, 39 stage, 8" motor	1,441.00
145011		Discharge w/Pipe 3" NPT. 304&NBR, 29-39DS	2,809.00	00139A01	17	Strap, 1 stage, 4" motor	36.00
145580		Discharge w/Pipe 3" NPT. 316&FKM, 29-39DS	3,334.00	00139A02		Strap, 2 stage, 4" motor	39.00
96550810	2	Check Valve Cup	45.00	00139A03		Strap, 3 stage, 4" motor	43.00
96551222	3	Check Valve Seat, NBR	87.00	00139A04		Strap, 4 stage, 4" motor	45.00
135934		Check Valve Seat, FKM	290.00	00139A05		Strap, 5 stage, 4" motor	49.00
96592000	4	Top Chamber, 304SS, NBR, 2-15 stg.	291.00	00139D04		Strap, 4 stage, 6" motor	54.00
135129		Top Chamber, 304SS, FKM, 2-15 stg.	333.00	00139D05		Strap, 5 stage, 6" motor	58.00
135115	4a	Top Chamber, 304SS, NBR, 29-39DS	281.00	00139D06		Strap, 6 stage, 6" motor	60.00
135130		Top Chamber, 304SS, FKM, 29-39DS	302.00	00139D07		Strap, 7 stage, 6" motor	65.00
96551032	8a	Upthrust Washer/Wear Ring	53.00	00139D08		Strap, 8 stage, 6" motor	66.00
96551228	8b	Stop Ring for Upthrust Washer	68.00	00139D09		Strap, 9 stage, 6" motor	70.00
96551391	9	Intermediate Chamber, NBR, (individual item)	325.00	00139D10		Strap, 10 stage, 6" motor	74.00
97755579		Intermediate Chamber, NBR, (qty. of 5)	1,175.00	00139D11		Strap, 11 stage, 6" motor	76.00
135123		Intermediate Chamber, FKM, (individual item)	333.00	00139D12		Strap, 12 stage, 6" motor	80.00
97756070	10	Bottom Chamber, NBR, 1 stg.	326.00	00139D13		Strap, 13 stage, 6" motor	84.00
135128		Bottom Chamber, FKM, 1 stg.	372.00	00139D14		Strap, 14 stage, 6" motor	87.00
96551392		Bottom Chamber, NBR, 2-39 stg.	385.00	00139D15		Strap, 15 stage, 6" motor	96.00
135125		Bottom Chamber, FKM, 2-39 stg.	362.00	00139D16		Strap, 16 stage, 6" motor	100.00
97509673	8a, 11 & 12	Upthrust washer, Split Cone Nut & Cone (qty. 1)	126.00	00139D17		Strap, 17 stage, 6" motor	103.00
97509658	11 & 12	Split Cone Nut and Cone (qty. 1)	74.00	00139D18		Strap, 18 stage, 6" motor	107.00
97509660		Split Cone Nut and Cone (qty. 5)	320.00	00139D19		Strap, 19 stage, 6" motor	110.00
97509671		Split Cone Nut and Cone (qty. 10)	470.00	00139D20		Strap, 20 stage, 6" motor	132.00
97506691	13	Impeller cpl. w/pos. 11, 12, & 72 (qty. 1)	140.00	00139D21		Strap, 21 stage, 6" motor	135.00
97506692		Impeller cpl. w/pos. 11, 12, & 72 (qty. 5)	615.00	00139D22		Strap, 22 stage, 6" motor	116.00
96591961	14	Suction Interconnector, 4" motor	297.00	00139D23		Strap, 23 stage, 6-8" motor	95.00
96551388		Suction Intercon. 6 & 8" mtr. add pos. 73(a)	361.00	00139D24		Strap, 24 stage, 6-8" motor	122.00
96456330	15	Strainer for 4" motor	51.00	00139D25		Strap, 25 stage, 6-8" motor	125.00
96591939		Strainer for 6" motor	38.00	00139D26		Strap, 26 stage, 6-8" motor	127.00
96592009		Strainer for pump in sleeve	83.00	00139D27		Strap, 27 stage, 6-8" motor	129.00
96551390		Strainer for 8" motor	81.00	00139D28		Strap, 28 stage, 6-8" motor	132.00
00136D01	16	Shaft w/coupling, 1 stage, 4" motor	143.00	00139G29		Strap, 29 stage, in Sleeve, 6-8" motor	143.00
96592011		Shaft w/coupling, 2 stage, 4" motor	150.00	00139G31		Strap, 31 stage, in Sleeve, 6-8" motor	151.00
96592012		Shaft w/coupling, 3 stage, 4" motor	170.00	00139G33		Strap, 33 stage, in Sleeve, 6-8" motor	155.00
96592013		Shaft w/coupling, 4 stage, 4" motor	175.00	00139G36		Strap, 36 stage, in Sleeve, 8" motor	155.00
96592014		Shaft w/coupling, 5 stage, 4" motor	201.00	00139G39		Strap, 39 stage, in Sleeve, 8" motor	172.00
00136G04		Shaft w/coupling, 4 stage, 6" motor	407.00	00138A01	18	Cable Guard, 1 stage, 4" motor	50.00
00136G05		Shaft w/coupling, 5 stage, 6" motor	431.00	00138A02		Cable Guard, 2 stage, 4" motor	53.00
00136G06		Shaft w/coupling, 6 stage, 6" motor	442.00	00138A03		Cable Guard, 3 stage, 4" motor	54.00
00136G07		Shaft w/coupling, 7 stage, 6" motor	466.00	00138A04		Cable Guard, 4 stage, 4" motor	65.00
00136G08		Shaft w/coupling, 8 stage, 6" motor	490.00	00138A05		Cable Guard, 5 stage, 4" motor	66.00
00136G09		Shaft w/coupling, 9 stage, 6" motor	496.00	00138D04		Cable Guard, 4 stage, 6" motor	45.00
00136G10		Shaft w/coupling, 10 stage, 6" motor	503.00	00138D05		Cable Guard, 5 stage, 6" motor	47.00
00136G11		Shaft w/coupling, 11 stage, 6" motor	519.00	00138D06		Cable Guard, 6 stage, 6" motor	51.00
00136G12		Shaft w/coupling, 12 stage, 6" motor	534.00	00138D07		Cable Guard, 7 stage, 6" motor	54.00
00136G13		Shaft w/coupling, 13 stage, 6" motor	545.00	00138D08		Cable Guard, 8 stage, 6" motor	63.00
00136G14		Shaft w/coupling, 14 stage, 6" motor	558.00	00138D09		Cable Guard, 9 stage, 6" motor	69.00
00136G15		Shaft w/coupling, 15 stage, 6" motor	564.00	00138D10		Cable Guard, 10 stage, 6" motor	73.00
00136G16		Shaft w/coupling, 16 stage, 6" motor	579.00	00138D11		Cable Guard, 11 stage, 6" motor	75.00
00136G17		Shaft w/coupling, 17 stage, 6" motor	587.00	00138D12		Cable Guard, 12 stage, 6" motor	77.00
00136G18		Shaft w/coupling, 18 stage, 6" motor	606.00	00138D13		Cable Guard, 13 stage, 6" motor	81.00
00136G19		Shaft w/coupling, 19 stage, 6" motor	628.00	00138D14		Cable Guard, 14 stage, 6" motor	110.00
00136G20		Shaft w/coupling, 20 stage, 6" motor	649.00	00138D15		Cable Guard, 15 stage, 6" motor	92.00
00136G21		Shaft w/coupling, 21 stage, 6" motor	666.00	00138D16		Cable Guard, 16 stage, 6" motor	95.00
00136G22		Shaft w/coupling, 22 stage, 6" motor	688.00	00138D17		Cable Guard, 17 stage, 6" motor	130.00
00136G23		Shaft w/coupling, 23 stage, 6" motor	708.00	00138D18		Cable Guard, 18 stage, 6" motor	106.00
00136G24		Shaft w/cpling, 24 stg. 6" mtr. L=2412 mfg.>0926	1,003.00	00138D19		Cable Guard, 19 stage, 6" motor	109.00
00136G25		Shaft w/cpling, 25 stg. 6" mtr. L=2517 mfg.>0926	1,027.00	00138D20		Cable Guard, 20 stage, 6" motor	113.00
00136G26		Shaft w/cpling, 26 stg. 6" mtr. L=2613 mfg.>0926	1,044.00	00138D21		Cable Guard, 21 stage, 6" motor	150.00
00136G27		Shaft w/cpling, 27 stg. 6" mtr. L=2709 mfg.>0926	1,068.00	00138D22		Cable Guard, 22 stage, 6" motor	121.00
00136G28		Shaft w/cpling, 28 stg. 6" mtr. L=2805 mfg.>0926	1,091.00	00138D23		Cable Guard, 23 stage, 6" motor	123.00
00136A24		Shaft cpl., 24 stg., 6" mtr., L=2500, used w/pos. 73	1,024.00	00138D24		Cable Guard, 24 stage, 6" motor mfg.>0926	125.00
00136A25		Shaft cpl., 25 stg., 6" mtr., L=2596, used w/pos. 73	1,048.00	00138D25		Cable Guard, 25 stage, 6" motor mfg.>0926	128.00
00136A26		Shaft cpl., 26 stg., 6" mtr., L=2692, used w/pos. 73	1,071.00	00138D26		Cable Guard, 26 stage, 6" motor mfg.>0926	131.00

NOTES: Position numbers not referenced are only available in kits.

< = Before, > = After

**SP 6, 8, 10-INCH**  
Spare Parts

**GRUNDFOS PRICE LIST**  
EFFECTIVE DATE: MARCH 19, 2018

MATERIAL NUMBER	POS. NO.	DESCRIPTION	LIST PRICE (\$)	MATERIAL NUMBER	POS. NO.	DESCRIPTION	LIST PRICE (\$)
<b>150S (continued)</b>				<b>230S (continued)</b>			
00138D27	18	Cable Guard, 27 stage, 6" motor mfg.>0926	133.00	97657201	13	Full dia. Impeller cpl. w/pos.11c, 12, & 72. (qty. 1)	325.00
00138D28		Cable Guard, 28 stage, 6" motor mfg.>0926	136.00	97657511		Red. A dia. Impeller cpl. w/pos.11, 12, & 72 (qty. 1)	195.00
00138G24		Cable Guard, 24 stage, 6" motor mfg.<0927	321.00	97657519		Red. A dia. Impeller cpl. w/pos.11, 12, & 72 (qty. 5)	687.00
00138G25		Cable Guard, 25 stage, 6" motor mfg.<0927	329.00	97657521		Red. A dia. Impeller cpl. w/pos.11c, 12, & 72 (qty. 1)	280.00
00138G26		Cable Guard, 26 stage, 6" motor mfg.<0927	339.00	97657525		Red. B dia. Impeller cpl. w/pos.11, 12, & 72 (qty. 1)	195.00
00138G27		Cable Guard, 27 stage, 6" motor mfg.<0927	348.00	97657532		Red. B dia. Impeller cpl. w/pos.11, 12, & 72 (qty. 5)	687.00
00138G28		Cable Guard, 28 stage, 6" motor mfg.<0927	359.00	97657556		Red. B dia. Impeller cpl. w/pos.11c, 12, & 72 (qty. 1)	280.00
00138B24		Cable Guard, 24 stage, 8" motor	524.00	97657558		Red. C dia. Impeller cpl. w/pos.11, 12, & 72 (qty. 1)	154.00
00138B25		Cable Guard, 25 stage, 8" motor	300.00	97657571		Red. C dia. Impeller cpl. w/pos.11, 12, & 72 (qty. 5)	687.00
00138B26		Cable Guard, 26 stage, 8" motor	311.00	97657574		Red. C dia. Impeller cpl. w/pos.11c, 12, & 72 (qty. 1)	280.00
00138B27		Cable Guard, 27 stage, 8" motor	320.00	96591961	14	Suction Interconnector, 4" motor	297.00
00138B28		Cable Guard, 28 stage, 8" motor	590.00	96551388		Suction Interconnector, 6"-8" motor	361.00
123705		Cable Guard, 29 stage, 6" & 8" motor	373.00	96456330	15	Strainer, 4" motor	51.00
123706		Cable Guard, 31 stage, 6" & 8" motor	396.00	96591939		Strainer, 6" motor	38.00
97854437		Cable Guard, 33 stage, 6" & 8" motor	336.00	96592009		Strainer, 6" motor w/6" pos. 73	83.00
123708		Cable Guard, 36 stage, 8" motor	443.00	96551390		Strainer, 6-8" motor	81.00
123709		Cable Guard, 39 stage, 8" motor	471.00	95062270	16	Shaft w/coupling, 1 stage, 4" motor	125.00
96413437	18a	Cable Guard Screw, M5x10mm A4	10.00	96590621		Shaft w/coupling, 2 stage, 4" motor	134.00
96438757	19	Strap Nut, M10, 4" motor, Delta Seal	10.00	96590734		Shaft w/coupling, 3 stage, 4" motor	165.00
96438758	19(a)22a	Strap Nut, M12-NV19, 6"-8" motor, Delta Seal	10.00	00146B04		Shaft w/coupling, 4 stage, 4" motor	212.00
00ID0143	19a	Motor Nut, 5/16", 316 SS, 4" motor	10.00	00146A02		Shaft w/coupling, 2 stage, 6" motor	365.00
00ID0144		Motor Nut, M8-NV13, 4" motor	10.00	00146A03		Shaft w/coupling, 3 stage, 6" motor	391.00
00ID3925		Motor Nut, 5/16", 304 SS, 4" motor	10.00	96590710		Shaft w/coupling, 4 stage, 6" motor	380.00
140022	22	Staybolt, M12 x 82mm, 8" motor	28.00	96590712		Shaft w/coupling, 5 stage, 6" motor	385.00
140064		Staybolt, M12 x 105mm, 6" motor	28.00	96590716		Shaft w/coupling, 6 stage, 6" motor	445.00
00ID1363		Bolt and Nut M12 x 40mm, 6" motor	10.00	96590718		Shaft w/coupling, 7 stage, 6" motor	483.00
00ID1555		Mtr Conn Piece Bolt, 8" motor, M12 x 30	10.00	96590720		Shaft w/coupling, 8 stage, 6" motor	495.00
110033	23	Rubber Motor Lead Guard, 4" motor	10.00	96590722		Shaft w/coupling, 9 stage, 6" motor	550.00
110215		Rubber Motor Lead Guard, 4"-6" motor, FKM	28.00	96590724		Shaft w/coupling, 10 stage, 6" motor	575.00
96592219		Rubber Motor Lead Guard, 6" motor	11.00	96590726		Shaft w/coupling, 11 stage, 6" motor	570.00
96550812		Rubber Motor Lead Guard, 8" motor	10.00	96590729		Shaft w/coupling, 12 stage, 6" motor	625.00
95061489	25	Seal Ring Retainer	10.00	96590730		Shaft w/coupling, 13 stage, 6" motor	615.00
96591932	26	Strainer Retainer	47.00	00146A14		Shaft w/coupling, 14 stage, 6" motor	695.00
95061370	72	Wear Ring, Impeller 304SS (Qty.1)	10.00	96590743		Shaft w/coupling, 15 stage, 6" motor	707.00
96537826		Wear Ring, Impeller 316SS (Qty.10)	83.00	96590732		Shaft w/coupling, 16 stage, 6" motor	675.00
97824749	73	Adapter Plate/Intermediate Flange, 6" motor	573.00	00146A17		Shaft w/coupling, 17 stage, 6" motor	757.00
130128		Adapter Plate, 6" x 8", Y/D	1,289.00	00146A18		Shaft w/coupling, 18 stage, 6" motor	773.00
130056		Adapter Plate, 6" x 8"	1,150.00	00146A19		Shaft w/coupling, 19 stage, 6" motor	788.00
120026	73a	Bottom Plate, Sleeve, 6" motor	1,301.00	00146B17		Shaft w/coupling, 17 stage, 8" motor	796.00
140014		Bottom Plate, Sleeve, 8" motor	1,173.00	00146B18		Shaft w/coupling, 18 stage, 8" motor	825.00
00ID0188	74	Motor Bolt, 1/2" x 32	10.00	00146B19		Shaft w/coupling, 19 stage, 8" motor	854.00
160027		Motor Staybolt for 8" motor, M16 x 55	31.00	00146B20		Shaft w/coupling, 20 stage, 8" motor	1,068.00
96438759	74a	Nut, M16, Delta Seal	10.00	96590738		Shaft w/coupling, 22 stage, 8" motor	1,105.00
140009	100	Counter Tightening Flange	821.00	156420		Shaft w/coupling, 20 stg., 8" mtr, pump in sleeve	1,068.00
140010	101	Tightening Flange	954.00	156422		Shaft w/coupling, 22 stg., 8" mtr, pump in sleeve	1,130.00
00139G80	102	Sleeve, 29 stage	3,215.00	00147A01	17	Strap, 1 stage, 4" motor	27.00
00139G81		Sleeve, 31 stage	3,386.00	00147A02		Strap, 2 stage, 4" motor	31.00
00139G82		Sleeve, 33 stage	3,552.00	00147A03		Strap, 3 stage, 4" motor	38.00
00139G83		Sleeve, 36 stage	3,613.00	00147A04		Strap, 4 stage, 4" motor	40.00
00139G84		Sleeve, 39 stage	3,677.00	00147B02		Strap, 2 stage, 6" motor	37.00
00ID1370	103	Sleeve Allen Bolt, M10 x 25mm	10.00	00147B03		Strap, 3 stage, 6" motor	38.00
00ID2215	104	Sleeve Allen Bolt, M10 x 40mm	10.00	00147B04		Strap, 4 stage, 6" motor	39.00
<b>230S</b>				00147B05		Strap, 5 stage, 6" motor	41.00
95061978	1	Valve Housing, 3" NPT, 304 SS, 2-12 stage	410.00	00147B06		Strap, 6 stage, 6" motor	44.00
155004		Valve Housing, 4" NPT, 304 SS, 2-12 stage	315.00	00147B07		Strap, 7 stage, 6" motor	47.00
155113	1a	Discharge, 3" NPT, 304 SS, NBR 13-19 stg.	784.00	00147B08		Strap, 8 stage, 6" motor	50.00
155112		Discharge, 4" NPT, 304 SS, NBR 13-19 stg.	901.00	00147B09		Strap, 9 stage, 6" motor	53.00
155630		Discharge, 4" NPT, 316 SS, FKM 13-19 stg.	1,723.00	00147B10		Strap, 10 stage, 6" motor	55.00
155017		Discharge w/pipe, 4"NPT, 304SS, NBR, 20-24 stg.	2,876.00	00147B11		Strap, 11 stage, 6" motor	59.00
96550810	2	Check Valve Cone	45.00	00147B12		Strap, 12 stage, 6" motor	60.00
145304	3	Check Valve Seat, NBR, 316 SS	125.00	00147B13		Strap, 13 stage, 6" motor	63.00
145835		Check Valve Seat, FKM, 904L	261.00	00147B14		Strap, 14 stage, 6" motor	75.00
97756296	4	Top Chamber, Cpl. w/pos. 3, 6 & 8b, NBR, 1 stg.	408.00	00147B15		Strap, 15 stage, 6" motor	81.00
155141		Top Chamber, Cpl. w/pos. 3, 6 & 8b, FKM, 1 stg.	500.00	00147B16		Strap, 16 stage, 6" motor	81.00
96592049		Top Chamber, Cpl. w/pos.3 & 6, NBR, 2-12 stg.	390.00	00147B17		Strap, 17 stage, 6-8" motor	83.00
96483602		Top Chamber, Cpl. w/pos.3 & 6, FKM, 2-12 stg.	476.00	00147B18		Strap, 18 stage, 6-8" motor	83.00
95062167	4a	Top Chamber, Cpl. w/pos.6, NBR, 20-24 stage	364.00	00147B19		Strap, 19 stage, 6-8" motor	98.00
155142		Top Chamber, Cpl. w/pos.6, FKM, 20-24 stage	390.00	157320		Strap, 20 stage, 6-8" motor	149.00
96590773	8a	Stop Ring Washer	52.00	157322		Strap, 22 stage, 6-8" motor	158.00
130673	8b	Stop Ring, 316 SS, 1B-1 stage	66.00	157324		Strap, 24 stage, 6-8" motor	167.00
96551228		Stop Ring, 316 SS, 2-24 stage	68.00	00148A01	18	Cable Guard, 1 stage, 4" motor	41.00
96551400	9	Intermediate Chamber, NBR (qty. 1)	285.00	00148A02		Cable Guard, 2 stage, 4" motor	46.00
97757818		Intermediate Chamber, NBR (qty. 5)	1,729.00	00148A03		Cable Guard, 3 stage, 4" motor	47.00
155131		Intermediate Chamber, FKM	585.00	00148A04		Cable Guard, 4 stage, 4" motor	50.00
96551401	10	Bottom Chamber, NBR	485.00	00148B02		Cable Guard, 2 stage, 6" motor	47.00
155132		Bottom Chamber, FKM	478.00	00148B03		Cable Guard, 3 stage, 6" motor	48.00
96901982	8a, 11c & 12	Upthrust washer, Split Cone Nut & Cone (qty. 1)	210.00	00148B04		Cable Guard, 4 stage, 6" motor	52.00
97509658	11 & 12	Split Cone Nut and Cone (qty. 1)	74.00	00148B05		Cable Guard, 5 stage, 6" motor	57.00
97509660		Split Cone Nut and Cone (qty. 5)	320.00	00148B06		Cable Guard, 6 stage, 6" motor	57.00
97509671		Split Cone Nut and Cone (qty. 10)	470.00	96590635		Cable Guard, 7 stage, 6" motor	42.00
97657156	13	Full dia. Impeller cpl. w/pos.11, 12, & 72. (qty. 1)	175.00	96590678		Cable Guard, 8 stage, 6" motor	44.00
97657159		Full dia. Impeller cpl. w/pos.11, 12, & 72. (qty. 5)	595.00	96590689		Cable Guard, 9 stage, 6" motor	62.00

**SP 6, 8, 10-INCH**

**Spare Parts**

MATERIAL NUMBER	POS. NO.	DESCRIPTION	LIST PRICE (\$)
<b>230S (continued)</b>			
00148B10	18	Cable Guard, 10 stage, 6" motor	66.00
96590688		Cable Guard, 11 stage, 6" motor	68.00
96590684		Cable Guard, 12 stage, 6" motor	74.00
00148B13		Cable Guard, 13 stage, 6" motor	81.00
00148B14		Cable Guard, 14 stage, 6" motor	86.00
96590687		Cable Guard, 15 stage, 6" motor	90.00
00148B16		Cable Guard, 16 stage, 6" motor	132.00
00148B17		Cable Guard, 17 stage, 6" motor	132.00
00148B18		Cable Guard, 18 stage, 6" motor	135.00
00148B19		Cable Guard, 19 stage, 6" motor	136.00
00148C17		Cable Guard, 17 stage, 8" motor	231.00
00148C18		Cable Guard, 18 stage, 8" motor	243.00
00148C19		Cable Guard, 19 stage, 8" motor	256.00
97894998		Cable Guard, 20 stage, 8" motor	334.00
97895000		Cable Guard, 22 stage, 8" motor	344.00
97854188		Cable Guard, 24 stage, 8" motor	368.00
96413437	18a	Screw, 7/16" x 1-3/4"	10.00
96438757	19	Strap Nut, M10, Delta Seal, 4" motor	10.00
96438758		Strap Nut, M12-NV19, 6"-8" motor, Delta Seal	10.00
00ID7187	19a	Motor Nut, M8	10.00
00ID2162		Motor Nut, 1/2"UNF	10.00
00ID3925		Motor Nut, 5/16"UNF, 4" motor	10.00
00ID0188	22	Motor Bolt, 1/2" x 32mm	10.00
00ID1889		Motor Bolt, M16x50mm 316 SS 15-21DS	18.00
00ID1363		Motor Bolt, M12, 6" motor, use w/6" pos. 73	10.00
140022		Connecting Piece Staybolt, M12	28.00
00ID1555		Motor Connecting Piece Bolt, M12 x 3C	10.00
96438758	22a	Motor Nut, 6-8", pos. 73	10.00
110033	23	Rubber Motor Lead Guard, 4" motor, NBR	10.00
110215		Rubber Motor Lead Guard, 4-6" motor, FKM	28.00
96592219		Rubber Motor Lead Guard, 6" motor	11.00
96550812		Plastic Motor Lead Guard, 8" motor	10.00
95061535	68	Bottom Seal Ring	11.00
95061352	72	Impeller Wear Ring 230/300S (Qty. 1)	12.00
96537837		Impeller Wear Ring 230/300S (Qty. 10)	83.00
97824749	73	Adapter Plate/Int. Flange, 6" Motor	573.00
130128		Adapter Plate 6"x8" Y/D Motor	1,289.00
130056		Connecting Piece for 8" Motor	1,150.00
140014	73a	Bottom Plate, Sleeve	1,173.00
00ID0188	74	Motor Staybolt for 6" motor	10.00
160027		Motor Staybolt for 8" motor, M16	31.00
96438759	74a	Nut, M16, Delta Seal	10.00
150037	100	Clamping Flange (Counter)	711.00
150036	101	Clamping Flange	708.00
159990	102	Sleeve, 20 stage	2,887.00
159991		Sleeve, 22 stage	3,058.00
159992		Sleeve, 24 stage	3,119.00
00ID1370	103	Outer Sleeve Allen Bolt, M10 x 25mm	10.00
00ID2215	104	Sleeve Allen Bolt, M10 x 40mm	10.00

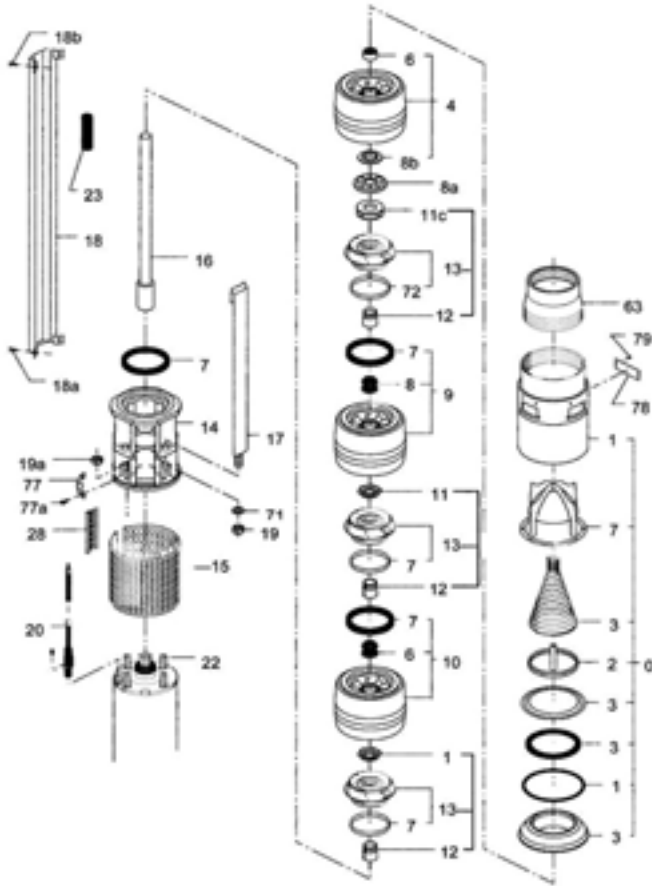
MATERIAL NUMBER	POS. NO.	DESCRIPTION	LIST PRICE (\$)
<b>300S</b>			
95061978	1	Valve Housing, 3" NPT, 304 SS, 1B-6 stage	410.00
155004		Valve Housing, 4" NPT, 304 SS, 7-13 stage	315.00
96590692	1a	Discharge Cpl. 4"NPT, 304 SS, NBR, 14-18 stg.	900.00
96931852		Discharge Cpl. 4"NPT, 304 SS, FKM, 14-18 stg.	1,037.00
155017		Discharge w/pipe, 4"NPT, 304 SS, NBR, 19-21 st.	2,876.00
96550810	2	Check Valve Cone	45.00
145304	3	Check Valve Seat, NBR, 316 SS	125.00
145835		Check Valve Seat, FKM, 904L	261.00
97756320	4	Top Chamber, Cpl. w/pos. 3, 6 & 8b, NBR, 1 stg.	429.00
145350		Top Chamber, Cpl. w/pos. 3, 6 & 8b, FKM, 1 stg.	498.00
96551397		Top Chamber, Cpl. w/pos.3 &6, NBR, 2-13 stg.	409.00
145351		Top Chamber, Cpl. w/pos.3 &6, FKM, 2-13 stg.	492.00
145342	4a	Top Chamber, Cpl. w/pos.6, NBR, 19-21 stg.	391.00
145352		Top Chamber, Cpl. w/pos.6, FKM, 19-21 stg.	RTF
96590773	8a	Stop Ring Washer	52.00
130673	8b	Stop Ring, 316 SS, 1B-1 stage	66.00
96590779		Stop Ring, 316 SS, 2-21 stage	99.00
96551396	9	Intermediate Chamber, NBR (Qty.1)	465.00
97757838		Intermediate Chamber, NBR (Qty.5)	1,754.00
145354		Intermediate Chamber, FKM (Qty.1)	474.00
96551398	10	Bottom Chamber, w/pos. 6b, 7 & 8b, NBR	421.00
145353		Bottom Chamber, w/pos. 6b, 7 & 8 b, FKM	487.00
96901986	8a, 11c & 12	Upthrust washer, Split Cone Nut & Cone (Qty.1).	245.00
97509658	11 & 12	Split Cone Nut and Cone (Qty.1)	74.00
97509660		Split Cone Nut and Cone (Qty.5)	320.00
97509671		Split Cone Nut and Cone (Qty.10)	470.00
97657711	13	Full dia. Impeller cpl. w/pos.11, 12, & 72. (qty. 1)	175.00
97657712		Full dia. Impeller cpl. w/pos.11, 12, & 72. (qty. 5)	620.00
97657713		Full dia. Impeller cpl. w/pos.11c, 12, & 72. (qty. 1)	340.00
97657714		Red. A dia. Impeller cpl. w/pos.11, 12, & 72 (qty. 1)	157.00
97657716		Red. A dia. Impeller cpl. w/pos.11, 12, & 72 (qty. 5)	708.00
97657718		Red. A dia. Impeller cpl. w/pos.11c, 12, & 72 (qty. 1)	294.00

MATERIAL NUMBER	POS. NO.	DESCRIPTION	LIST PRICE (\$)
<b>300S (continued)</b>			
97657741	13	Red. B dia. Impeller cpl. w/pos.11, 12, & 72 (qty. 1)	157.00
97657742		Red. B dia. Impeller cpl. w/pos.11, 12, & 72 (qty. 5)	708.00
97657743		Red. B dia. Impeller cpl. w/pos.11c, 12, & 72 (qty. 1)	294.00
96591961	14	Suction Interconnector, 4" motor	297.00
96551388		Suction Interconnector, 6-8" motor	361.00
96456330	15	Strainer, 4" motor	51.00
96591939		Strainer, 6" motor	38.00
96551390		Strainer, 6-8" motor	81.00
00146B01	16	Shaft w/ coupling, 1 stage, 4" motor	125.00
00146B02		Shaft w/ coupling, 2 stage, 4" motor	137.00
96590734		Shaft w/ coupling, 3 stage, 4" motor	165.00
00146A02		Shaft w/coupling, 2 stage, 6" motor	365.00
00146A03		Shaft w/coupling, 3 stage, 6" motor	391.00
96590710		Shaft w/coupling, 4 stage, 6" motor	380.00
96590712		Shaft w/coupling, 5 stage, 6" motor	385.00
96590716		Shaft w/coupling, 6 stage, 6" motor	445.00
96590718		Shaft w/coupling, 7 stage, 6" motor	483.00
96590720		Shaft w/coupling, 8 stage, 6" motor	495.00
96590722		Shaft w/coupling, 9 stage, 6" motor	550.00
96590724		Shaft w/coupling, 10 stage, 6" motor	575.00
96590726		Shaft w/coupling, 11 stage, 6" motor	570.00
96590729		Shaft w/coupling, 12 stage, 6" motor	625.00
96590730		Shaft w/coupling, 13 stage, 6" motor	615.00
00146A14		Shaft w/coupling, 14 stage, 6" motor	695.00
96590743		Shaft w/coupling, 15 stage, 6" motor	707.00
00146B14		Shaft w/coupling, 14 stage, 8" motor	708.00
00146B15		Shaft w/coupling, 15 stage, 8" motor	737.00
00146B16		Shaft w/coupling, 16 stage, 8" motor	764.00
00146B17		Shaft w/coupling, 17 stage, 8" motor	796.00
00146B18		Shaft w/coupling, 18 stage, 8" motor	825.00
97758820		Shaft w/coupling, 19 stg., pump in sleeve, 8" mtr.	1,028.00
97758822		Shaft w/coupling, 20 stg., pump in sleeve, 8" mtr.	1,075.00
97758824		Shaft w/coupling, 21 stg., pump in sleeve, 8" mtr.	1,086.00
00147A01	17	Strap, 1 stage, 4" motor	27.00
00147A02		Strap, 2 stage, 4" motor	31.00
00147A03		Strap, 3 stage, 4" motor	38.00
00147B02		Strap, 2 stage, 6" motor	37.00
00147B03		Strap, 3 stage, 6" motor	38.00
00147B04		Strap, 4 stage, 6" motor	39.00
00147B05		Strap, 5 stage, 6" motor	41.00
00147B06		Strap, 6 stage, 6" motor	44.00
00147B07		Strap, 7 stage, 6" motor	47.00
00147B08		Strap, 8 stage, 6" motor	50.00
00147B09		Strap, 9 stage, 6" motor	53.00
00147B10		Strap, 10 stage, 6" motor	55.00
00147B11		Strap, 11 stage, 6" motor	59.00
00147B12		Strap, 12 stage, 6" motor	60.00
00147B13		Strap, 13 stage, 6" motor	63.00
00147B14		Strap, 14 stage, 6 & 8" motor	75.00
00147B15		Strap, 15 stage, 6 & 8" motor	81.00
00147B16		Strap, 16 stage, 6 & 8" motor	81.00
00147B17		Strap, 17 stage, 6 & 8" motor	83.00
00147B18		Strap, 18 stage, 6 & 8" motor	83.00
157319		Strap, 19 stage, pump in sleeve, 8" motor	144.00
157320		Strap, 20 stage, pump in sleeve, 8" motor	149.00
157321		Strap, 21 stage, pump in sleeve, 8" motor	154.00
00148A01	18	Cable Guard, 1 stage, 4" motor	41.00
00148A02		Cable Guard, 2 stage, 4" motor	46.00
00148A03		Cable Guard, 3 stage, 4" motor	47.00
00148B02		Cable Guard, 2 stage, 6" motor	47.00
00148B03		Cable Guard, 3 stage	48.00
00148B04		Cable Guard, 4 stage	52.00
00148B05		Cable Guard, 5 stage	57.00
00148B06		Cable Guard, 6 stage	57.00
96590635		Cable Guard, 7 stage	42.00
96590678		Cable Guard, 8 stage	44.00
96590689		Cable Guard, 9 stage	62.00
00148B10		Cable Guard, 10 stage	66.00
96590688		Cable Guard, 11 stage	68.00
96590684		Cable Guard, 12 stage	74.00
00148B13		Cable Guard, 13 stage	81.00
00148B14		Cable Guard, 14 stage, 6" motor	86.00
96590687		Cable Guard, 15 stage, 6" motor	90.00
00148C14		Cable Guard, 14 stage, 8" motor	216.00
00148C15		Cable Guard, 15 stage, 8" motor	218.00
00148C16		Cable Guard, 16 stage, 8" motor	226.00
00148C17		Cable Guard, 17 stage, 8" motor	231.00
00148C18		Cable Guard, 18 stage, 8" motor	243.00
123764		Cable Guard, 19 stage, pump in sleeve 8" mtr.	322.00
123752		Cable Guard, 21 stage, pump in sleeve 8" mtr.	345.00
159989	102	Sleeve, 19 stage	2,688.00
159988		Sleeve, 21 stage	2,942.00

NOTES: 300S Pos. numbers 18 & 102 for the 20 stage, along with pos. 18a through 101, & 103, 104 are the same 230S, refer to the 230S section. Pos. numbers not referenced are only available in kits.

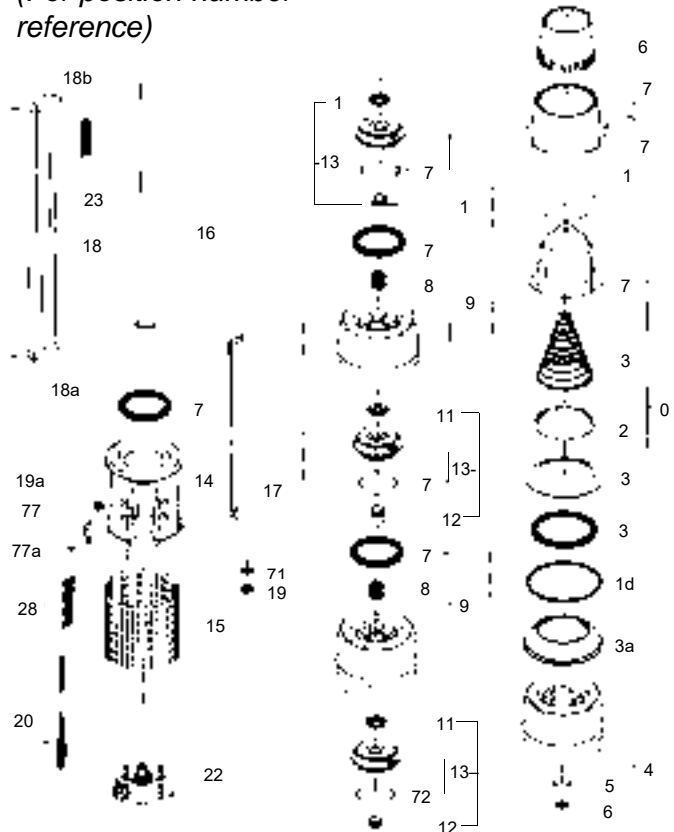
# 385S to 475S

(For position number reference)



# 625S to 1100S

(For position number reference)



**NOTE:** Some referenced position numbers may not be available as individual items (see complete kit).

**SP 6, 8, 10-INCH**  
Spare Parts

**GRUNDFOS PRICE LIST**  
EFFECTIVE DATE: MARCH 19, 2018

MATERIAL NUMBER	POS. NO.	DESCRIPTION	LIST PRICE (\$)
<b>385S</b>			
165053	1	Valve Housing, 4" NPT, mfg. < 8/98	1,037.00
95062275		Valve Housing, 5" NPT, mfg. > 8/98	1,110.00
96417829	1d	Valve Housing O-Ring NBR, mfg. > 8/98	10.00
96426566		Valve Housing O-Ring, Ø134.5 x 3, FKM	55.00
96590858	2	Check Valve Cup, mfg. > 8/98	190.00
96590824	3	Check Valve Seat, NBR, mfg. > 8/98	22.00
190097		Check Valve Seat, FKM, mfg. > 8/98	109.00
96590825	3a	Lower Valve Seat Retainer, 316 SS mfg. > 0623	323.00
96590822	3b	Upper Valve Seat Retainer, mfg. > 8/98	25.00
96551405	4	Top Chamber, mfg. > 8/98, NBR	550.00
165127		Top Chamber, mfg., > 8/98, FKM	555.00
96551243	8a	Stop Ring Washer	76.00
96590864	8b	Stop Ring	73.00
96551404	9	Intermediate Chamber, mfg. >8/98, NBR (qty.1)	422.00
97757851		Intermediate Chamber, mfg. >8/98, NBR (qty.5)	1,899.00
165128		Intermediate Chamber, FKM (qty.1)	489.00
96903086	8a,11c & 12	Upthrust washer, Split Cone Nut & Cone( qty.1.)	367.00
96902505	11 & 12	Split Cone Nut and Cone (qty.1)	115.00
96913743		Split Cone Nut and Cone (qty.5)	505.00
97657775	13	Full dia. Impeller cpl. w/pos.11, 12, & 72. (qty.1)	233.00
97657776		Full dia. Impeller cpl. w/pos.11, 12, & 72. (qty.5)	1,042.00
97657777		Full dia. Impeller cpl. w/pos.11c, 12, & 72. (qty.1)	327.00
97657780		Red. A dia. Impeller cpl. w/pos.11, 12, & 72 (qty.1)	248.00
97657802		Red. A dia. Impeller cpl. w/pos.11c, 12, & 72 (qty.5)	1,117.00
97657804		Red. A dia. Impeller cpl. w/pos.11c, 12, & 72 (qty.1)	345.00
97658154		Red. B dia. Impeller cpl. w/pos.11, 12, & 72 (qty.1)	295.00
97658155		Red. B dia. Impeller cpl. w/pos.11, 12, & 72 (qty.5)	1,117.00
97658156		Red. B dia. Impeller cpl. w/pos.11c, 12, & 72 (qty.1)	345.00
190100	14	Suction Interconnector, 6" motor, 316 SS	828.00
96551513		Suction Interconnector, 8" motor, 316 SS	1,000.00
96551402	15	Strainer DOL	96.00
160019		Strainer WYE-DELTA	110.00
196201	16	Shaft w/coupling, 1 stage, 6" motor	240.00
196202		Shaft w/coupling, 2 stage, 6" motor	275.00
196203		Shaft w/coupling, 3 stage, 6" motor	420.00
196204		Shaft w/coupling, 4 stage, 6" motor	460.00
196205		Shaft w/coupling, 5 stage, 6" motor	524.00
196206		Shaft w/coupling, 6 stage, 6" motor	545.00
196207		Shaft w/coupling, 7 stage, 6" motor	585.00
196208		Shaft w/coupling, 8 stage, 6" motor	665.00
196106		Shaft w/coupling, 6 stage, 8" motor	710.00
196107		Shaft w/coupling, 7 stage, 8" motor	740.00
196108		Shaft w/coupling, 8 stage, 8" motor	804.00
196109		Shaft w/coupling, 9 stage	1,003.00
196110		Shaft w/coupling, 10 stage	995.00
196111		Shaft w/coupling, 11 stage	1,050.00
96590804		Shaft w/coupling, 12 stage	1,090.00
196113		Shaft w/coupling, 13 stage	1,125.00
198001	17	Strap, 1 stage, C Model, mfg. > 8/98	105.00
198002		Strap, 2 stage, C Model, mfg. > 8/98	146.00
198003		Strap, 3 stage, C Model, mfg. > 8/98	115.00
198004		Strap, 4 stage, C Model, mfg. > 8/98	158.00
198005		Strap, 5 stage, C Model, mfg. > 8/98	120.00
198006		Strap, 6 stage, C Model, mfg. > 8/98	167.00
198007		Strap, 7 stage, C Model, mfg. > 8/98	171.00
198008		Strap, 8 stage, C Model, mfg. > 8/98	176.00
198009		Strap, 9 stage, C Model, mfg. > 8/98	180.00
198010		Strap, 10 stage, C Model, mfg. > 8/98	185.00
198011		Strap, 11 stage, C Model, mfg. > 8/98	190.00
198012		Strap, 12 stage, C Model, mfg. > 8/98	194.00
198013		Strap, 13 stage, C Model, mfg. > 8/98	155.00

MATERIAL NUMBER	POS. NO.	DESCRIPTION	LIST PRICE (\$)
<b>385S (continued)</b>			
198501	18	Cable Guard, 1 stage, 6" mtr., mfg. > 8/98	66.00
198502		Cable Guard, 2 stage, 6" mtr., mfg. > 8/98	92.00
198503		Cable Guard, 3 stage, 6" mtr., mfg. > 8/98	97.00
198504		Cable Guard, 4 stage, 6" mtr., mfg. > 8/98	84.00
198505		Cable Guard, 5 stage, 6" mtr., mfg. > 8/98	113.00
198506		Cable Guard, 6 stage, 6" mtr., mfg. > 8/98	121.00
198507		Cable Guard, 7 stage, 6" mtr., mfg. > 8/98	125.00
198508		Cable Guard, 8 stage, 6" mtr., mfg. > 8/98	131.00
198606		Cable Guard, 6 stage, 8" mtr., mfg. > 8/98	188.00
198607		Cable Guard, 7 stage, 8" mtr., mfg. > 8/98	194.00
198608		Cable Guard, 8 stage, 8" mtr., mfg. > 8/98	165.00
198609		Cable Guard, 9 stage, 8" mtr., mfg. > 8/98	238.00
198610		Cable Guard, 10 stage, 8" mtr., mfg. > 8/98	254.00
198611		Cable Guard, 11 stage, 8" mtr., mfg. > 8/98	287.00
96590800		Cable Guard, 12 stage, 8" mtr., mfg. > 8/98	165.00
198613		Cable Guard, 13 stage, 8" mtr., mfg. > 8/98	338.00
96413437	18a	Screw for Cable Guard, M5 x 10mm	10.00
96438759	19	Strap Nut, M16, Delta Seal	10.00
00ID2164	19a	Motor Nut, 1/2" UNF	10.00
96592219	23	Rubber Motor Lead Guard, 6" motor	11.00
96550812		Rubber Motor Lead Guard, 8" motor	10.00
160038	28	Lock for Strainer, 196mm	33.00
96590869	39	Spring for Check Valve Cone, mfg. > 8/98	71.00
95061647	63	Valve Housing Adapter, 5"-4", mfg. > 8/98	613.00
96590854	70	Check Valve Guide, mfg. > 8/98, NBR	420.00
195537		Check Valve Guide, mfg. > 8/98, FKM	545.00
160021	71	Washer for Strap Nut	10.00
96551242	72	Impeller Wear Ring (Qty.10)	130.00
160054	74	Motor Bolt, 1/2" x 36mm, 6" motor	14.00
00ID1537		Motor Bolt, M16 x 55mm, 8"	17.00
00ID2164	74a	Nut, M16	10.00
95062075	77	Cover for Pos. 14, 6" mtr, mfg. > 8/98	36.00
190554		Cover for Pos. 14, 8" mtr, mfg. > 8/98	45.00
96413437	77a	Screw, M5 x 10 mm for cover plate	10.00

**NOTES:** Position numbers not referenced are only available in kits.

< = Before > = After

**SP 6, 8, 10-INCH**  
Spare Parts

GRUNDFOS PRICE LIST  
EFFECTIVE DATE: MARCH 19, 2018

MATERIAL NUMBER	POS. NO.	DESCRIPTION	LIST PRICE (\$)	MATERIAL NUMBER	POS. NO.	DESCRIPTION	LIST PRICE (\$)
<b>475S</b>				<b>475S (continued)</b>			
95062275	1	Valve Housing, 5" NPT, mfg. > 8/98	1,110.00	198505	18	Cable Guard, 5 stage, 6" mtr., mfg. > 8/98	113.00
96417829	1d	Valve Housing O-Ring NBR, mfg. > 8/98	10.00	198506		Cable Guard, 6 stage, 6" mtr., mfg. > 8/98	121.00
96426566		Valve Housing O-Ring, Ø134.5 x 3, FKM	55.00	198507		Cable Guard, 7 stage, 6" mtr., mfg. > 8/98	125.00
96590858	2	Check Valve Cup, mfg. > 8/98	190.00	198604		Cable Guard, 4 stage, 8" mtr., mfg. > 8/98	146.00
96590824	3	Check Valve Seat, NBR, mfg. > 8/98	22.00	198605		Cable Guard, 5 stage, 8" mtr., mfg. > 8/98	130.00
190097		Check Valve Seat, FKM, mfg. > 8/98	109.00	198606		Cable Guard, 6 stage, 8" mtr., mfg. > 8/98	188.00
96590825	3a	Lower Valve Seat Retainer, 316 SS, mfg. > 0623	323.00	198607		Cable Guard, 7 stage, 8" mtr., mfg. > 8/98	194.00
96590822	3b	Upper Valve Seat Retainer, mfg. > 8/98	25.00	198608		Cable Guard, 8 stage, 8" mtr., mfg. > 8/98	165.00
96551517	4	Top Chamber, mfg. > 10/99, NBR	571.00	198609		Cable Guard, 9 stage, 8" mtr., mfg. > 8/98	238.00
96551243	8a	Stop Ring Washer	76.00	198610		Cable Guard, 10 stage, 8" mtr., mfg. > 8/98	254.00
96590864	8b	Stop Ring	73.00	198611		Cable Guard, 11 stage, 8" mtr., mfg. > 8/98	287.00
96551514	9	Intermediate Chamber, mfg. > 8/98, NBR (qty. 1)	528.00	96590800		Cable Guard, 12 stage, 8" mtr., mfg. > 8/98	165.00
97757857		Intermediate Chamber, mfg. > 8/98, NBR (qty. 5)	2,378.00	198613		Cable Guard, 13 stage, 8" mtr., mfg. > 8/98	338.00
195063		Intermediate Chamber, FKM (qty.1)	614.00	96413437	18a	Screw for Cable Guard, M5 x 10mm	10.00
96903145	8a, 11c & 12	Upthrust washer, Split Cone Nut & Cone (qty. 1)	425.00	96438759	19	Strap Nut, M16, Delta Seal	10.00
96902505	11 & 12	Split Cone Nut and Cone (qty.1)	115.00	96592219	23	Rubber Motor Lead Guard, 6" motor	11.00
96913743		Split Cone Nut and Cone (qty. 5)	505.00	96550813		Plastic Motor Lead Guard, 8" motor	10.00
97658173	13	Full dia. Impeller cpl. w/pos.11, 12, & 72. (qty. 1)	325.00	95061876	28	Lock for Strainer, 196mm	31.00
97658174		Full dia. Impeller cpl. w/pos.11, 12, & 72. (qty. 5)	1,167.00	96590869	39	Spring, Check Valve Cone, mfg. > 8/98	71.00
97658175		Full dia. Impeller cpl. w/pos.11c, 12, & 72. (qty. 1)	545.00	95061855	63	Adapter, 5-6" NPT	706.00
97658176		Red. A dia. Impeller cpl. w/pos.11, 12, & 72 (qty. 1)	279.00	96590854	70	Check Valve Guide, NBR, mfg. > 8/98	420.00
97658180		Red. A dia. Impeller cpl. w/pos.11, 12, & 72 (qty. 5)	1,250.00	160021	71	Washer for Strap Nut	10.00
97658181		Red. A dia. Impeller cpl. w/pos.11c, 12, & 72 (qty. 1)	459.00	96551242	72	Impeller Wear Ring (Qty.10)	130.00
97658182		Red. B dia. Impeller cpl. w/pos.11, 12, & 72 (qty. 1)	279.00	160054	74	Motor Bolt, 1/2" x 36mm, 6" motor	14.00
97658183		Red. B dia. Impeller cpl. w/pos.11, 12, & 72 (qty. 5)	1,250.00	00ID1537		Motor Bolt, M16 x 60mm	17.00
97658184		Red. B dia. Impeller cpl. w/pos.11c, 12, & 72 (qty. 1)	459.00	00ID2164	74a	Nut, M16	10.00
190100	14	Suction Interconnector, 6" motor, 316 SS	828.00	95062075	77	Cover for pos. 14, 6" motor, mfg. > 8/98	36.00
96551513		Suction Interconnector, 8" motor, 316 SS	1,000.00	190554		Cover for pos. 14, 8" motor, mfg. > 8/98	45.00
96551402	15	Strainer DOL	96.00	96413437	77a	Screw, M5 x 10 mm for cover plate	10.00
160019		Strainer WYE-DELTA	110.00	< = Before, > = After			
196201	16	Shaft w/coupling, 1 stage, 6" motor	240.00				
196202		Shaft w/coupling, 2 stage, 6" motor	275.00				
196203		Shaft w/coupling, 3 stage, 6" motor	420.00				
196204		Shaft w/coupling, 4 stage, 6" motor	460.00				
196205		Shaft w/coupling, 5 stage, 6" motor	524.00				
196206		Shaft w/coupling, 6 stage, 6" motor	545.00				
196207		Shaft w/coupling, 7 stage, 6" motor	585.00				
196104		Shaft w/coupling, 4 stage, 8" motor	626.00				
196105		Shaft w/coupling, 5 stage, 8" motor	645.00				
196106		Shaft w/coupling, 6 stage, 8" motor	710.00				
196107		Shaft w/coupling, 7 stage, 8" motor	740.00				
196108		Shaft w/coupling, 8 stage, 8" motor	804.00				
196109		Shaft w/coupling, 9 stage, 8" motor	1,003.00				
196110		Shaft w/coupling, 10 stage, 8" motor	995.00				
196111		Shaft w/coupling, 11 stage, 8" motor	1,050.00				
96590804		Shaft w/coupling, 12 stage, 8" motor	1,090.00				
196113		Shaft w/coupling, 13 stage, 8" motor	1,125.00				
198001	17	Strap, 1 stage, B Model, mfg. > 8/98	105.00				
198002		Strap, 2 stage, B Model, mfg. > 8/98	146.00				
198003		Strap, 3 stage, B Model, mfg. > 8/98	115.00				
198004		Strap, 4 stage, B Model, mfg. > 8/98	158.00				
198005		Strap, 5 stage, B Model, mfg. > 8/98	120.00				
198006		Strap, 6 stage, B Model, mfg. > 8/98	167.00				
198007		Strap, 7 stage, B Model, mfg. > 8/98	171.00				
198008		Strap, 8 stage, B Model, mfg. > 8/98	176.00				
198009		Strap, 9 stage, B Model, mfg. > 8/98	180.00				
198010		Strap, 10 stage, B Model, mfg. > 8/98	185.00				
198011		Strap, 11 stage, B Model, mfg. > 8/98	190.00				
198012		Strap, 12 stage, B Model, mfg. > 8/98	194.00				
198013		Strap, 13 stage, B Model, mfg. > 8/98	155.00				
199001		Strap, 1 stage, A Model, mfg. < 8/98	128.00				
199002		Strap, 2 stage, A Model, mfg. < 8/98	136.00				
199003		Strap, 3 stage, A Model, mfg. < 8/98	136.00				
199004		Strap, 4 stage, A Model, mfg. < 8/98	136.00				
199005		Strap, 5 stage, A Model, mfg. < 8/98	140.00				
199006		Strap, 6 stage, A Model, mfg. < 8/98	146.00				
199007		Strap, 7 stage, A Model, mfg. < 8/98	152.00				
199008		Strap, 8 stage, A Model, mfg. < 8/98	155.00				
199009		Strap, 9 stage, A Model, mfg. < 8/98	155.00				
199410		Strap, 10 stage, A Model, mfg. < 8/98	230.00				
199411		Strap, 11 stage, A Model, mfg. < 8/98	RTF				
199412		Strap, 12 stage, A Model, mfg. < 8/98	RTF				
199013		Strap, 13 stage, A Model, mfg. < 8/98	198.00				
198501	18	Cable Guard, 1 stage, 6" mtr., mfg. > 8/98	66.00				
198502		Cable Guard, 2 stage, 6" mtr., mfg. > 8/98	92.00				
198503		Cable Guard, 3 stage, 6" mtr., mfg. > 8/98	97.00				
198504		Cable Guard, 4 stage, 6" mtr., mfg. > 8/98	84.00				

NOTES: Position numbers not referenced are only available in kits.

< = Before > = After

**SP 6, 8, 10-INCH**  
Spare Parts

**GRUNDFOS PRICE LIST**  
EFFECTIVE DATE: MARCH 19, 2018

MATERIAL NUMBER	POS. NO.	DESCRIPTION	LIST PRICE (\$)
<b>625S</b>			
95062161	1	Valve Housing, 6" NPT, 1-5 stg., mfg. > 7/98	1,191.00
175137		Valve Housing, 6" NPT, 6-7 stg., mfg. > 6/99	1,429.00
96417830	1d	Valve Housing O-Ring NPT, mfg. > 7/98	10.00
96426567		Valve Housing O-Ring, ø164.5 x 3, FKM	37.00
175148	2	Check Valve Cup, mfg. > 7/98	245.00
96591622	3	Check Valve Seat, NBR, mfg. > 7/98	34.00
170153		Check Valve Seat, FKM, mfg. > 7/98	161.00
170675	3a	Lower Valve Seat Retainer, 1-5 stg., mfg. > 7/98	410.00
170677		Lower Valve Seat Retainer, 6-7 stg., mfg. > 6/99	507.00
170144	3b	Upper Valve Seat Retainer, mfg. > 7/98	37.00
96551495	4	Top Chamber, 1-5 stages, mfg. > 7/98	775.00
175655		Top Chamber, FKM, mfg. > 7/98	725.00
96551236	5	Stop Disc	20.00
96432513	6	Bearing, Graflon®	222.00
96432514	7	Neck Ring, Graflon®	150.00
96432515	8	Intermediate Bearing, Graflon®	208.00
96591608	9	Intermediate Chamber, NBR, 304 SS (qty. 1)	675.00
97757881		Intermediate Chamber, NBR, 304 SS (qty. 5)	2,564.00
175651		Intermediate Chamber, FKM, 316 SS	1,225.00
96903149	11 & 12	Split Cone Nut and Cone (qty. 1)	130.00
97506694	13	Full dia. Impeller cpl. w/pos.11, 12, & 72. (qty. 1)	375.00
97506697		Full dia. Impeller cpl. w/pos.11, 12, & 72. (qty. 5)	1,348.00
97506727		Red. A dia. Impeller cpl. w/pos.11, 12, & 72 (qty. 1)	375.00
97506741		Red. A dia. Impeller cpl. w/pos.11, 12, & 72 (qty. 5)	1,348.00
96551493	14	Suction Interconnector, 6" motor, 316 SS	1,352.00
170685		Suction Interconnector, 8" motor, 316 SS	2,125.00
95062191	15	Strainer DOL	79.00
170016		Strainer WYE-DELTA	126.00
00176A01	16	Shaft w/coupling, 1 stage, 6" motor	500.00
00176A02		Shaft w/coupling, 2 stage, 6" motor	560.00
96591620		Shaft w/coupling, 3 stage, 6" motor	520.00
00176C02		Shaft w/coupling, 2 stage, 8" motor	605.00
00176C03		Shaft w/coupling, 3 stage, 8" motor	640.00
00176C04		Shaft w/coupling, 4 stage, 8" motor	715.00
00176C05		Shaft w/coupling, 5 stage, 8" motor, =<125 HP	695.00
00176C06		Shaft w/coupling, 6 stage, 8" motor, =<125 HP	785.00
00176C07		Shaft w/coupling, 7 stage, 8" motor, =<125 HP	836.00
00176E05		Shaft w/coupling, 5 stage, 8" motor, =>150 HP	RTF
00176E06		Shaft w/coupling, 6 stage, 8" motor, =>150 HP	RTF
00176E07		Shaft w/coupling, 7 stage, 8" motor, =>150 HP	RTF
208001	17	Strap, 1 stage, D Model, mfg. > 7/98	123.00
208002		Strap, 2 stage, D Model, mfg. > 7/98	135.00
208003		Strap, 3 stage, D Model, mfg. > 7/98	140.00
208004		Strap, 4 stage, D Model, mfg. > 7/98	135.00
208005		Strap, 5 stage, D Model, mfg. > 7/98	136.00
208206		Strap, 6 stage, D Model, mfg. > 7/98	158.00
208207		Strap, 7 stage, D Model, mfg. > 7/98	161.00
208501	18	Cable Guard, 1 stage, 6" motor, mfg. > 7/98	188.00
208502		Cable Guard, 2 stage, 6" motor, mfg. > 7/98	155.00
208503		Cable Guard, 3 stage, 6" motor, mfg. > 7/98	165.00
208602		Cable Guard, 2 stage, 8" motor, mfg. > 7/98	188.00
208603		Cable Guard, 3 stage, 8" motor, mfg. > 7/98	198.00
208604		Cable Guard, 4 stage, 8" motor, mfg. > 7/98	230.00
208705		Cable Guard, 5 stage, 8" motor, mfg. > 7/98	242.00
208706		Cable Guard, 6 stage, 8" motor, mfg. > 7/98	265.00
208707		Cable Guard, 7 stage, 8" motor, mfg. > 7/98	215.00
96413437	18a	Screw for Cable Guard, M5 x 10mm	10.00
96438759	19	Strap Nut, M16, Delta Seal	10.00
00ID2162	19a	Motor Nut, 1/2" UNF	10.00
00UW0006	22a	Lock Washer, 1/2", 6" motor	10.00
00UW0002		Lock Washer, 5/8", 8" motor	10.00
96592219	23	Rubber Motor Lead Guard, 6" motor	11.00
96550813		Plastic Motor Lead Guard, 8" motor	10.00
95062009	28	Lock for Strainer, 6" motor	46.00
95061876		Lock for Strainer, 196mm	31.00
170967	39	Spring for Check Valve Cone	32.00
96551240	70	Check Valve Guide	66.00
175142		Check Valve Guide, mfg. > 7/98, NBR, 304 SS	415.00
175639		Check Valve Guide, FKM 316 SS, mfg. > 7/98	498.00
160021	71	Washer, Strap Nut	10.00
96535350	72	Impeller Wear Ring (Qty.2)	43.00
00UB0006	74	Motor Bolt, 1/2" UNF, 6" motor	10.00
1800011		Motor Bolt, 5/8" x 3-1/2", 8" motor	29.00
0ID00164	74a	Motor Nut, 5/8"	10.00
95062075	77	Cover, Suction Interconnector	36.00
96413437	77a	Screw, M5 x 10 mm for cover plate	10.00

MATERIAL NUMBER	POS. NO.	DESCRIPTION	LIST PRICE (\$)
<b>800S</b>			
95062161	1	Valve Housing, 6" NPT, mfg. > 7/98	1,191.00
96417830	1d	Valve Housing O-Ring NBR, mfg. > 7/98	10.00
96426567		Valve Housing O-Ring, Ø164 x 3, FKM	37.00
175148	2	Check Valve Cup, mfg. > 7/98	245.00
96591622	3	Check Valve Seat, NBR, mfg. > 7/98	34.00
170153		Check Valve Seat, FKM	161.00
200648	3a	Lower Valve Seat Retainer, mfg. > 7/98	416.00
170144	3b	Upper Valve Seat Retainer, mfg. > 7/98	37.00
96551518	4	Top Chamber, NBR 304 SS	698.00
205136		Top Chamber, FKM 304 SS	873.00
96551236	5	Stop Disc	20.00
175649	6	Upper Bearing, FKM	74.00
205131	7	Neck Ring, FKM	83.00
170255	8	Intermediate Bearing, FKM	42.00
96591642	9	Intermediate Chamber, NBR 304 SS (qty. 1)	606.00
97757886		Intermediate Chamber, NBR 304 SS (qty. 5)	2,729.00
205137		Intermediate Chamber, FKM 304 SS (qty. 1)	817.00
96903149	11 & 12	Split Cone Nut and Cone (qty. 1)	130.00
97508270	13	Full dia. Impeller cpl. w/pos. 11, 12, & 72 (qty. 1)	390.00
97508272		Full dia. Impeller cpl. w/pos. 11, 12, & 72. (qty. 5)	1,415.00
97508275		Red. A dia. Impeller cpl. w/pos. 11, 12, & 72 (qty. 1)	315.00
97508276		Red. A dia. Impeller cpl. w/pos. 11, 12, & 72 (qty. 5)	1,415.00
95062147	14	Suction Interconnector, 6" motor	1,527.00
200626		Suction Interconnector, 8" motor	1,497.00
95062191	15	Strainer DOL	79.00
170016		Strainer WYE-DELTA	126.00
00176A01	16	Shaft w/coupling, 1 stage, 6" motor	500.00
00176A02		Shaft w/coupling, 2 stage, 6" motor	560.00
96591620		Shaft w/coupling, 3 stage, 6" motor	520.00
00176C02		Shaft w/coupling, 2 stage, 8" motor	605.00
00176C03		Shaft w/coupling, 3 stage, 8" motor	640.00
00176C04		Shaft w/coupling, 4 stage, 8" motor	715.00
00176C05		Shaft w/coupling, 5 stage, 8" motor	695.00
208001	17	Strap, 1 stage, B Model, mfg. > 7/98	123.00
208002		Strap, 2 stage, B Model, mfg. > 7/98	135.00
208003		Strap, 3 stage, B Model, mfg. > 7/98	140.00
208004		Strap, 4 stage, B Model, mfg. > 7/98	135.00
208005		Strap, 5 stage, B Model, mfg. > 7/98	136.00
208501	18	Cable Guard, 1 stage, 6" motor, mfg. > 7/98	188.00
208502		Cable Guard, 2 stage, 6" motor, mfg. > 7/98	155.00
208503		Cable Guard, 3 stage, 6" motor, mfg. > 7/98	165.00
208702		Cable Guard, 2 stage, 8" motor, mfg. > 7/98	196.00
208703		Cable Guard, 3 stage, 8" motor, mfg. > 7/98	214.00
208704		Cable Guard, 4 stage, 8" motor, mfg. > 7/98	234.00
208705		Cable Guard, 5 stage, 8" motor, mfg. > 7/98	242.00
96413437	18a	Screw for Cable Guard, M5 x 10mm	10.00
96438759	19	Strap Nut, M16, Delta Seal	10.00
00ID2162	19a	Motor Nut, 1/2" UNF	10.00
0ID00164		Motor Nut, 5/8", 8" motor	10.00
00UW0006	22a	Lock Washer, 1/2", 6" motor	10.00
00UW0002		Lock Washer, 5/8", 8" motor	10.00
96592219	23	Rubber Motor Lead Guard, 6" motor	11.00
96550813		Plastic Motor Lead Guard, 8" motor	10.00
95061876	28	Lock for Strainer, 196mm	31.00
170967	39	Spring, Check Valve Cone, mfg. > 7/98	32.00
175142	70	Check Valve Guide, mfg. > 7/98	415.00
175639		Check Valve Guide, FKM 316 SS, mfg. > 7/98	498.00
160021	71	Washer for Strap Nut	10.00
95061927	72	Impeller Wear Ring (qty. 1)	29.00
96551337		Impeller Wear Ring (qty. 10)	80.00
160054	74	Motor Bolt, 6" motor, 1/2"-20x36mm 316 SS	14.00
00UB0006		Motor Bolt, 1/2" UNF, 6" motor	10.00
1800011		Motor Bolt, 5/8" x 3-1/2", 8" motor	29.00
95062075	77	Cover for pos. 14, 6" motor, mfg. > 7/98	36.00
190554		Cover for pos. 14, 8" motor, mfg. > 7/98	45.00
96413437	77a	Screw, M5 x 10 mm for cover plate	10.00

NOTES: Position numbers not referenced are only available in kits.

< = Before, > = After

**SP 6, 8, 10-INCH**  
Spare Parts

GRUNDFOS PRICE LIST  
EFFECTIVE DATE: MARCH 19, 2018

MATERIAL NUMBER	POS. NO.	DESCRIPTION	LIST PRICE (\$)
<b>1100S</b>			
185065	1	Disch/Valve Hous., 6" NPT, 1-3 stg, 304 SS, mfg>8/98	1,580.00
185066		Disch/Valve Hous., 6" NPT, 4-6 stg, 304 SS, mfg>8/98	1,614.00
96417831	1d	Valve Housing O-Ring, NBR, mfg. > 7/98	12.00
96Z50000		Valve Housing O-Ring, FKM, mfg. > 7/98	13.00
95062255	2	Check Valve Cup, 304 SS, mfg. > 7/98	225.00
96591646	3	Check Valve Seat, NBR, mfg. > 7/98	20.00
180222		Check Valve Seat, FKM, mfg. > 7/98	205.00
95062238	3a	Lower Valve Seat Retainer, 1-3 stg, 316 SS, mfg.>7/98	417.00
180719		Lower Valve Seat Retainer, 4-6 stg, 316 SS, mfg.>8/98	560.00
95062148	3b	Upper Valve Seat Retainer, 304 SS, mfg. > 7/98	40.00
96551510	4	Top Chamber, 304 SS, w/pos. 6, NBR	1,200.00
185085		Top Chamber, 316 SS, FKM	1,145.00
96591648	5	Stop Disc	18.00
185585	6	Upper Bearing -CPL., 316 SS, FKM	83.00
185082	7	Seal Ring, FKM	100.00
180221	8	Intermediate Bearing, FKM	93.00
96551499	9	Chamber, 304 SS, w/pos. 7 & 8, NBR	798.00
185086		Intermediate Chamber, 304 SS, FKM	823.00
97524682	11 & 12	Split Cone Nut and Cone (qty. 1)	141.00
97508277	13	Full dia. Impeller cpl. w/pos. 11, 12, & 72 (qty. 1)	410.00
97508278		Red. A dia. Impeller cpl. w/pos. 11, 12, & 72 (qty. 1)	410.00
180113	14	Suction Interconnect., 6" motor, 304 SS, mfg.>0614	1,800.00
180732		Suction Interconnector, 8-12" motor, 304 SS, 8"/10-12", mfg. > 0612/0722	2,387.00 RTF
180224	15	Strainer, 304 SS	130.00
180734		Strainer, 316 SS	256.00
186501	16	Shaft w/coupling, 1 stage, 6" motor, 431 SS	455.00
186502		Shaft w/coupling, 2 stage, 6" motor, 431 SS	525.00
186701		Shaft w/coupling, 1 stage, 8" motor, 431 SS	563.00
186702		Shaft w/coupling, 2 stage, 8" motor, 431 SS	600.00
186703		Shaft w/coupling, 3 stage, 8" motor, 431 SS	695.00
187104		Shaft w/coupling, 4 stage, 8" motor, 431 SS	949.00
187105		Shaft w/coupling, 5 stage, 8" motor, 431 SS	1,052.00
00186A05		Shaft w/coupling, 5 stage, 10" motor, 431 SS	2,224.00
00186A06		Shaft w/coupling, 6 stage, 10" motor, 431 SS	2,326.00
183605		Shaft wo/coupling, 5 stage, 10" motor, 431 SS	535.00
183606		Shaft wo/coupling, 6 stage, 10" motor, 431 SS	636.00
00189C05	17	Strap, 5 stage, C Model, 304 SS, mfg. > 7/98 & <0721	379.00
00189C06		Strap, 6 stage, C Model, 304 SS, mfg. > 7/98 & <0721	416.00
00189H05		Strap, 5 stage, C Model, 316 SS, mfg. > 0720, 10" mtr.	397.00
00189H06		Strap, 6 stage, C Model, 316 SS, mfg. > 0720, 10" mtr	439.00
00183F01	18	Cable Grd., 1 stg, C Mod., 8" mtr, 316SS, mfg.>7/98	250.00
00183F02		Cable Grd., 2 stg, C Mod., 8-10" mtr, 316SS, mfg.>7/98	254.00
00183F03		Cable Grd., 3 stg, C Mod., 8-10" mtr, 316SS, mfg.>7/98	265.00
00183F04		Cable Grd., 4 stg, C Mod., 8-10" mtr, 316SS, mfg.>7/98	276.00
00183F05		Cable Grd., 5 stg, C Mod., 8-10" mtr, 316SS, mfg.>7/98	302.00
00183F06		Cable Grd., 6 stg, C Mod., 8-10" mtr, 316SS, mfg.>7/98	335.00
96413437	18a	Screw for Cable Guard, M5 x 10mm	10.00
96591820	18b	Washer, Cable Guard	10.00
96438759	19	Strap Nut, M16, Delta Seal	10.00
0ID00164	19a	Motor Nut, 5/8" - 11 UNC	10.00
00UW0002	22a	Lock Washer, 5/8", 8" motor	10.00
96592219	23	Rubber Motor Lead Guard, 6" motor	11.00
96550813		Plastic Motor Lead Guard, 8-10" motor	10.00
180040	24	Coupling, 10" motor, 316 SS	955.00
180041		Coupling Key, 10" motor, 316 SS	110.00
180041	24a	Coupling Key, 10" motor	110.00

MATERIAL NUMBER	POS. NO.	DESCRIPTION	LIST PRICE (\$)
<b>1100S (continued)</b>			
95062009	28	Lock for Strainer, 148mm, 304 SS	46.00
160503		Lock for Strainer, 148mm, 316 SS	49.00
180533	28a	Lock for Strainer, 124mm, 316 SS	29.00
180694	39	Spring for Check Valve, 316 SS, mfg. > 7/98	225.00
95062343	70	Check Valve Guide, 304 SS, NBR, mfg. > 7/98	505.00
185571		Check Valve Guide, 316 SS, FKM, mfg. > 7/98	554.00
160021	71	Washer, M16, 316 SS	10.00
97529530	72	Impeller Wear Ring, 316 SS (qty. 10)	115.00
160054	74	Motor Bolt, 6" mtr., 1/2"-20x36mm 316 SS	14.00
1800011		Motor Bolt, 5/8" x 3-1/2", 8" motor	29.00
00ID1542		Motor Bolt & Nut, M20 x 65mm, 10" mtr	11.00
0ID00164	74a	Motor Nut, 5/8", 8" motor	10.00
185581	77	Cover plate, 304 SS, 6" motor	37.00
200628		Cover plate, 316 SS, 8" motor	37.00
96413437	77a	Screw, M5 x 10 mm for cover plate	10.00

NOTES: Position numbers not referenced are only available in kits.  
< = Before > = After



**SP 4, 6, 8, 10-INCH BOLT KITS**

For Attaching Pump to Motor

GRUNDFOS PRICE LIST  
EFFECTIVE DATE: MARCH 19, 2018

MATERIAL NUMBER	DESCRIPTION	LIST PRICE (\$)
-----------------	-------------	-----------------

**5S to 75S**

00UB9000	Nut Kit, 4" motors	10.00
00UB9001	Bolt Kit, 6" motors	24.00

**85S**

00UB9000	Nut Kit, 4" motors	10.00
00UB9009	Bolt Kit, 6" motors	20.00

**150S**

00UB9000	Nut Kit, 4" motors	10.00
00UB9009	Bolt Kit, 6" motors	20.00
00UB9003	Bolt Kit, 8" motors	38.00

**230S**

00UB9000	Nut Kit, 4" motors	10.00
00UB9009	Bolt Kit, 6" motors	20.00
00UB9003	Bolt Kit, 8" motors	38.00

**300S**

00UB9000	Nut Kit, 4" motors	10.00
00UB9009	Bolt Kit, 6" motors	20.00
00UB9003	Bolt Kit, 8" motors	38.00

MATERIAL NUMBER	DESCRIPTION	LIST PRICE (\$)
-----------------	-------------	-----------------

**385S**

00UB9001	Bolt Kit, 6" motors	24.00
00UB9004	Bolt Kit, 8" motors	48.00

**475S**

00UB9001	Bolt Kit, 6" motors	24.00
00UB9004	Bolt Kit, 8" motors	48.00

**625S**

00UB9002	Bolt Kit, 6" motors	14.00
1800018	Bolt Kit, 8" motors	77.00

**800S**

00UB9002	Bolt Kit, 6" motors	14.00
1800018	Bolt Kit, 8" motors	77.00

**1100S**

00UB9001	Bolt Kit, 6" motors	24.00
1800018	Bolt Kit, 8" motors	77.00
1800028	Bolt Kit, 10" motors	78.00

MATERIAL NUMBER	DESCRIPTION	LIST PRICE (\$)
<b>SB Cable Kits</b>		
98244389	Kit,Cable H07 15m w/schuko SB	128.00
98244390	Kit,Cable H07 15m w/AUS plug SB	128.00
98244402	Kit,Cable H07 15m no plug SB	128.00
98244403	Kit, Cable 15M Nema SB	128.00
<b>SB Impeller Kits</b>		
98244814	Kit,Impeller SB_SBA25/35/45 50Hz	138.00
98244818	Kit, Impeller SB_SBA25/35/45 (60Hz)	138.00
<b>SB Bulks</b>		
98244819	Bulk, SB Discharge connection GAS	196.00
98244866	Bulk, SB Discharge NPT connection	196.00
<b>SB Spare Parts</b>		
98573364	Spare, SB Discharge connection GAS	35.00
98573381	Spare, SB Discharge NPT connection	35.00
<b>SBA Cable Kits</b>		
98679480	Kit,Cable H07 15m w/schuko SBA	145.00
98679485	Kit,Cable H07 15m w/AUS plug SBA	145.00
98679487	Kit,Cable H07 15m no plug SBA	145.00
98679489	Kit, Cable 15M Nema SBA	145.00
<b>SBA Cable + Float Switch Kits</b>		
98679490	Kit, Cable + float switch H07 15m w/schuko SBA	189.00
98679511	Kit,Cable + float switch H07 15m w/AUS plug SBA	189.00
98679513	Kit,Cable + float swich H07 15m no plug SBA	189.00
98679515	Kit, Cable + float swich 15M Nema SBA	189.00
<b>SBA Not Return Valve Kit</b>		
98679516	Kit, Non-return valve SBA	47.00
<b>SBA Impeller Kits</b>		
98244814	Kit,Impeller SB_SBA25/35/45 50Hz	138.00
98244818	Kit, Impeller SB_SBA25/35/45 (60Hz)	138.00
<b>SBA Bulks</b>		
98679439	Bulk, SBA Discharge connection GAS	56.00
98679940	Bulk, SBA Discharge connection NPT	23.00
<b>SBA Spare Parts</b>		
98679472	Spare, SBA Discharge connection GAS	17.00
98679477	Spare, SBA Discharge NPT connection	17.00

MATERIAL NUMBER	DESCRIPTION	LIST PRICE (\$)
<b>MS6000</b>		
<b>MS6000T40 3X380-400-415V 50 HZ DOL</b>		
96649709	MS6000T40 3X400/50 460/60 7 HP w.o. c/pa	2,235.00
96649723	MS6000T40 3X400/50 460/60 10 HP w.o. c/pa	2,265.00
96649725	MS6000T40 3X400/50 460/60 12 HP w.o. c/pa	2,583.00
96649726	MS6000T40 3X400/50 460/60 15 HP w.o. c/pac	2,661.00
96649727	MS6000T40 3X400/50 460/60 17 HP w.o. c/pac	2,779.00
96649729	MS6000T40 3X400/50 460/60 20 HP w.o. c/pac	2,934.00
96649740	MS6000T40 3X400/50 25 HP w.o. c/pack	3,360.00
96649741	MS6000T40 3X400/50 460/60 30 HP w.o. c/pac	3,567.00
96764103	MS6000T40 3X400/50 460/60 35 HP w.o. c/pac	4,026.00
96649742	MS6000T40 3X400/50 460/60 40 HP w.o. c/pac	6,543.00
<b>MS6000T40 3X380-400-415V 50 HZ SD</b>		
96651875	MS6000T40 3X400/50 SD 7 HP w.o. c/pack	3,514.00
96651876	MS6000T40 3X400/50 SD 10 HP w.o. c/pack	3,561.00
96651877	MS6000T40 3X400/50 SD 12 HP w.o. c/pack	4,062.00
96651878	MS6000T40 3X400/50 SD 15 HP w.o. c/pack	4,184.00
96651879	MS6000T40 3X400/50 SD 17 HP w.o. c/pack	4,371.00
96651890	MS6000T40 3X400/50 SD 20 HP w.o. c/pack	4,615.00
96651892	MS6000T40 3X400/50 SD 25 HP kW w.o. c/pack	5,285.00
96651893	MS6000T40 3X400/50 SD 30 HP w.o. c/pack	5,612.00
96651894	MS6000T40 3X400/50 SD 35 HP w.o. c/pack	6,334.00
96651896	MS6000T40 3X400/50 SD 40 HP w.o. c/pack	6,864.00